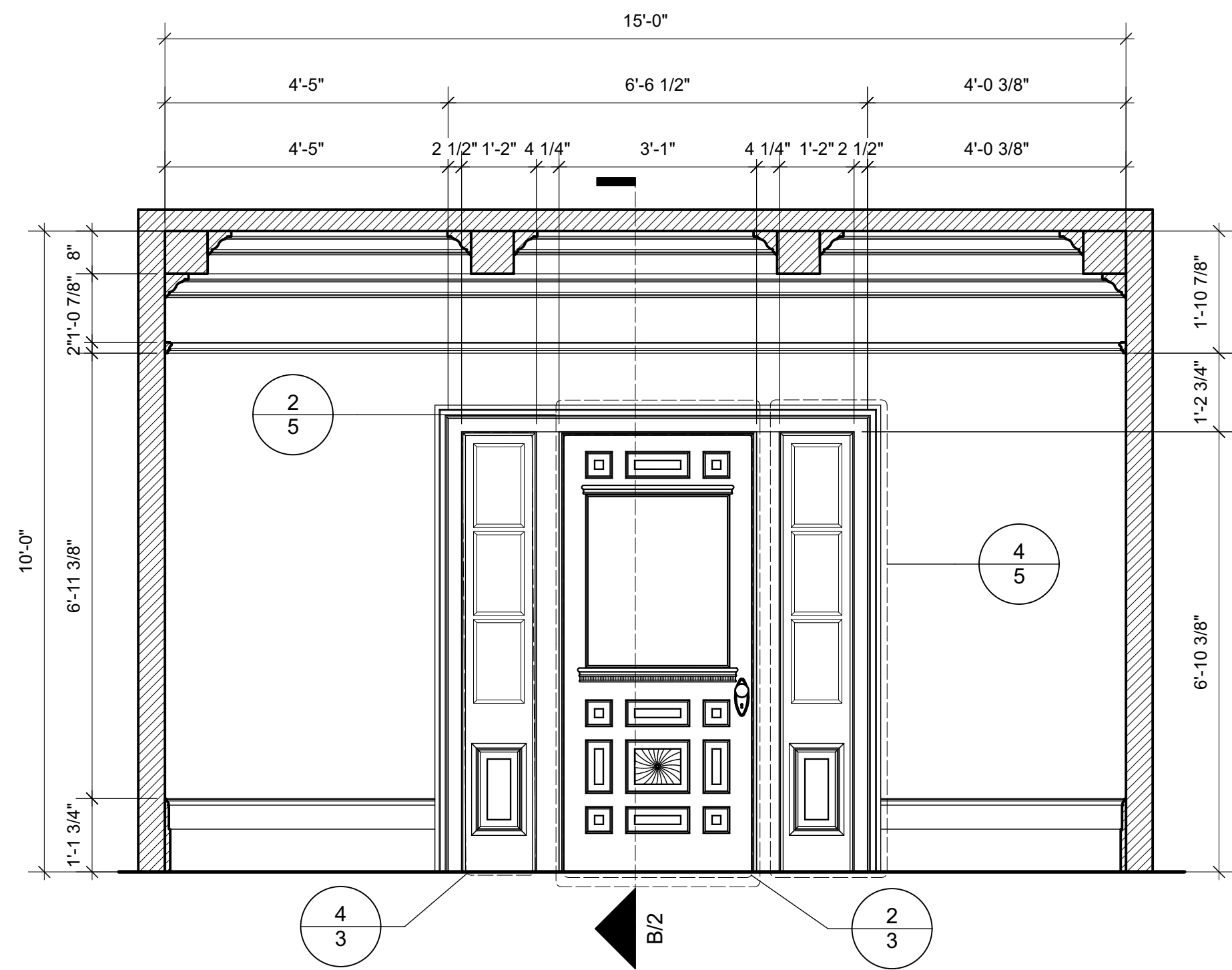


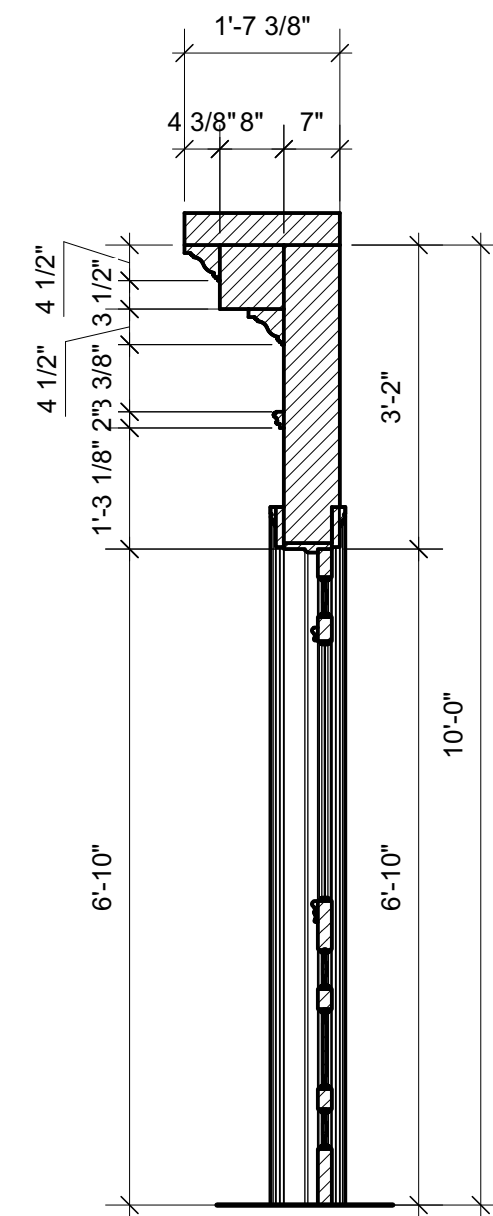
1 GROUND PLAN
Scale: 3/4" = 1'-0"

PRELIMINARY
FOR BID ONLY - DO NOT BUILD

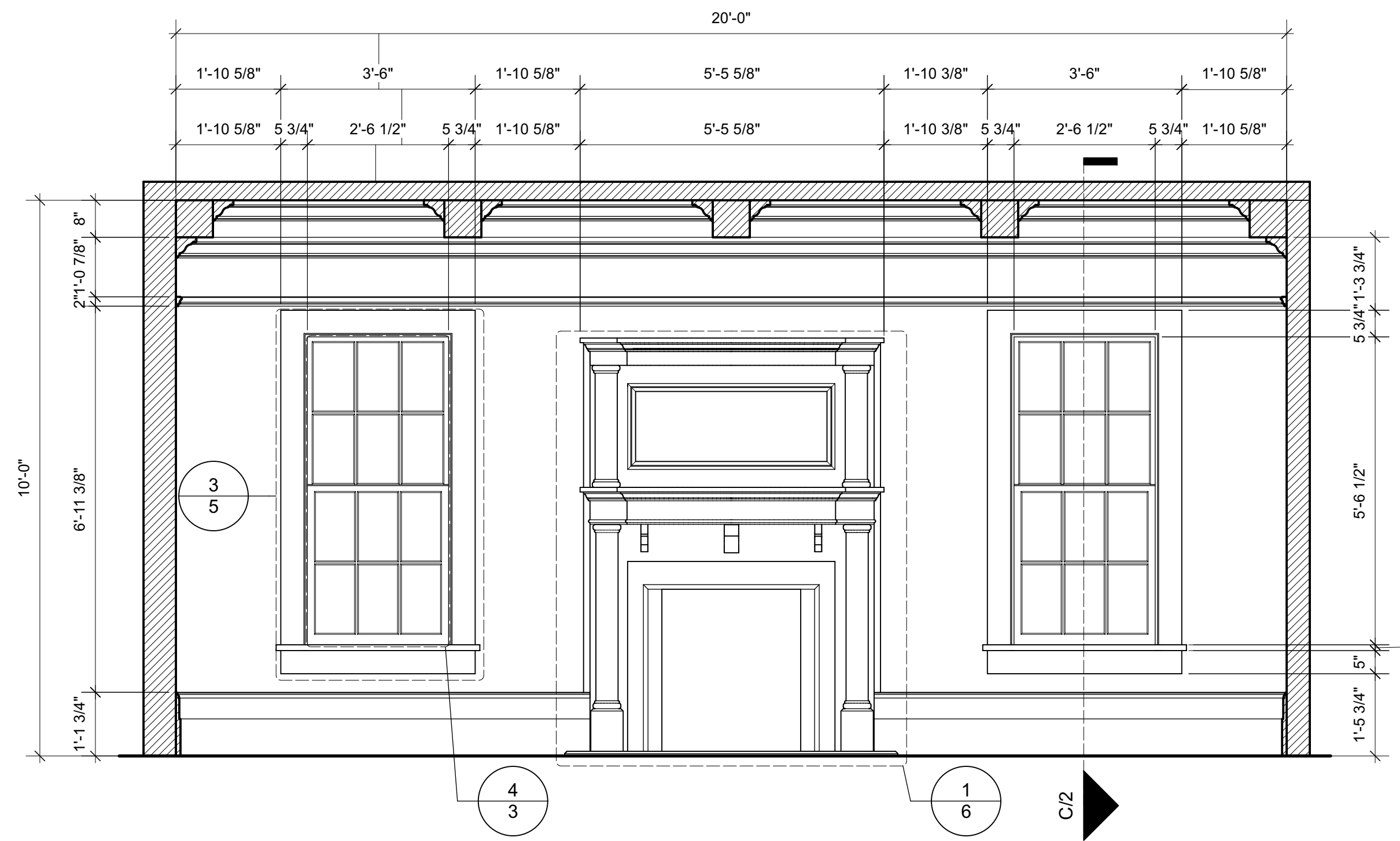
DESIGNED BY Yamilca Fernandez	THE ROOM PROJECT			
DRAWN BY Yamilca Fernandez	TITLE			
CHECKED BY Jake Ewonus	GROUND PLAN			
APPROVED BY	SIZE	CAGE CODE	DRAWING NUMBER	REV
CAD FILE NAME THE ROOM PROJECT.vwx	SCALE 3/4" = 1'-0"	EST. WGT	SHEET 1	OF 6



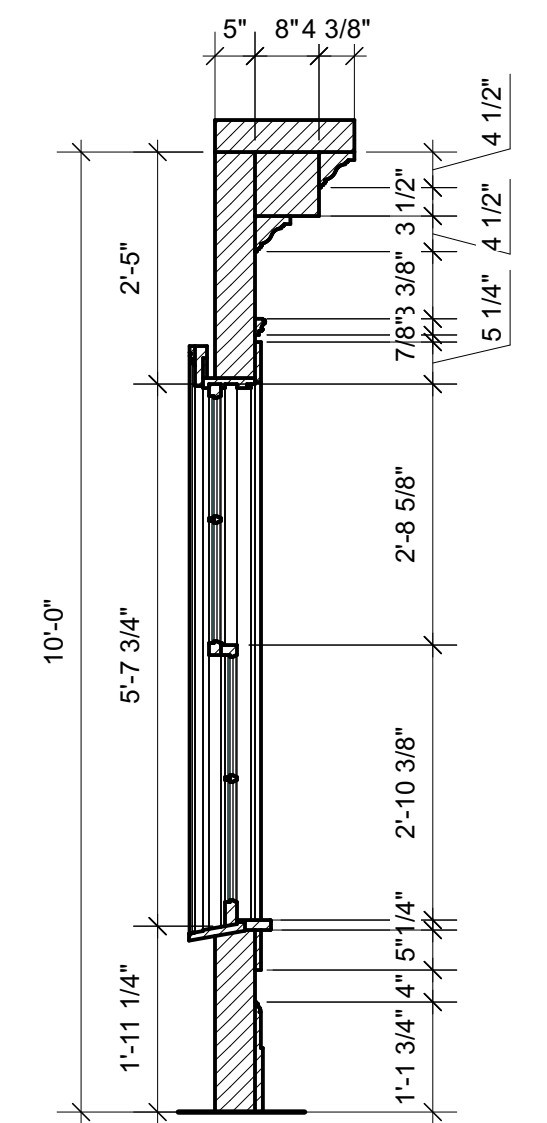
2 SECTION
2 Scale: 1/2" = 1'-0"



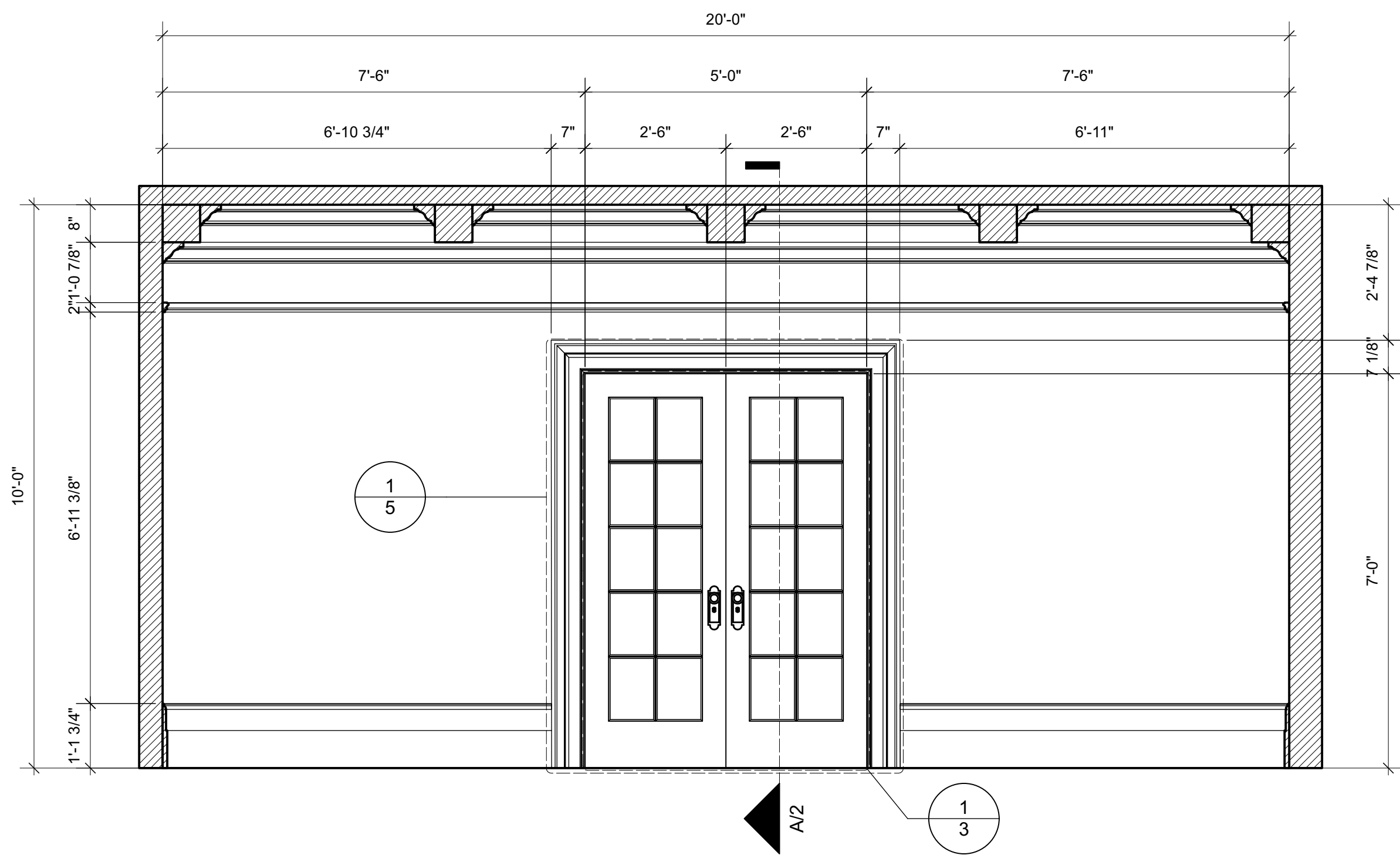
B SECTION
2 Scale: 1/2" = 1'-0"



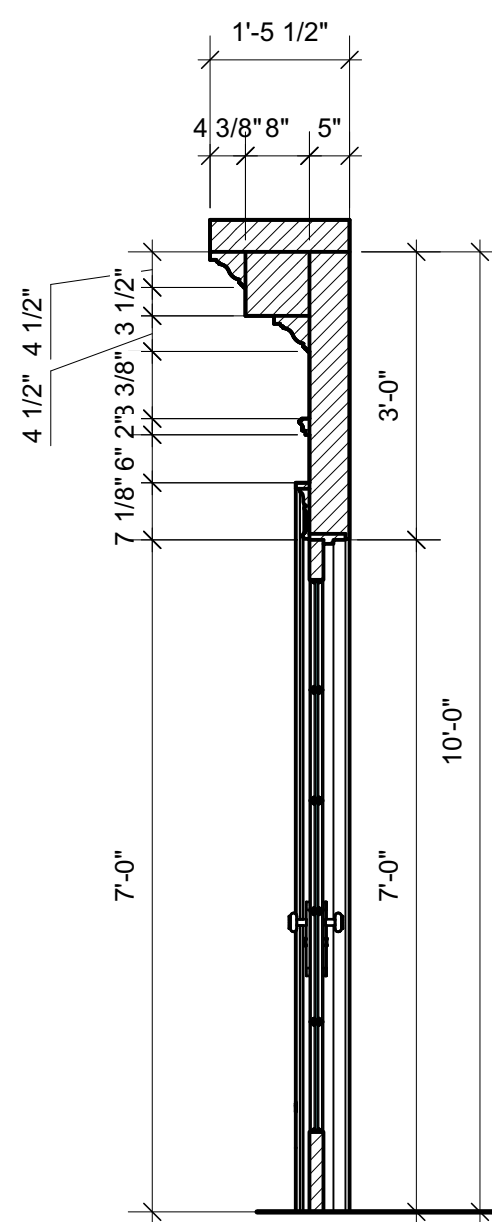
3 SECTION
2 Scale: 1/2" = 1'-0"



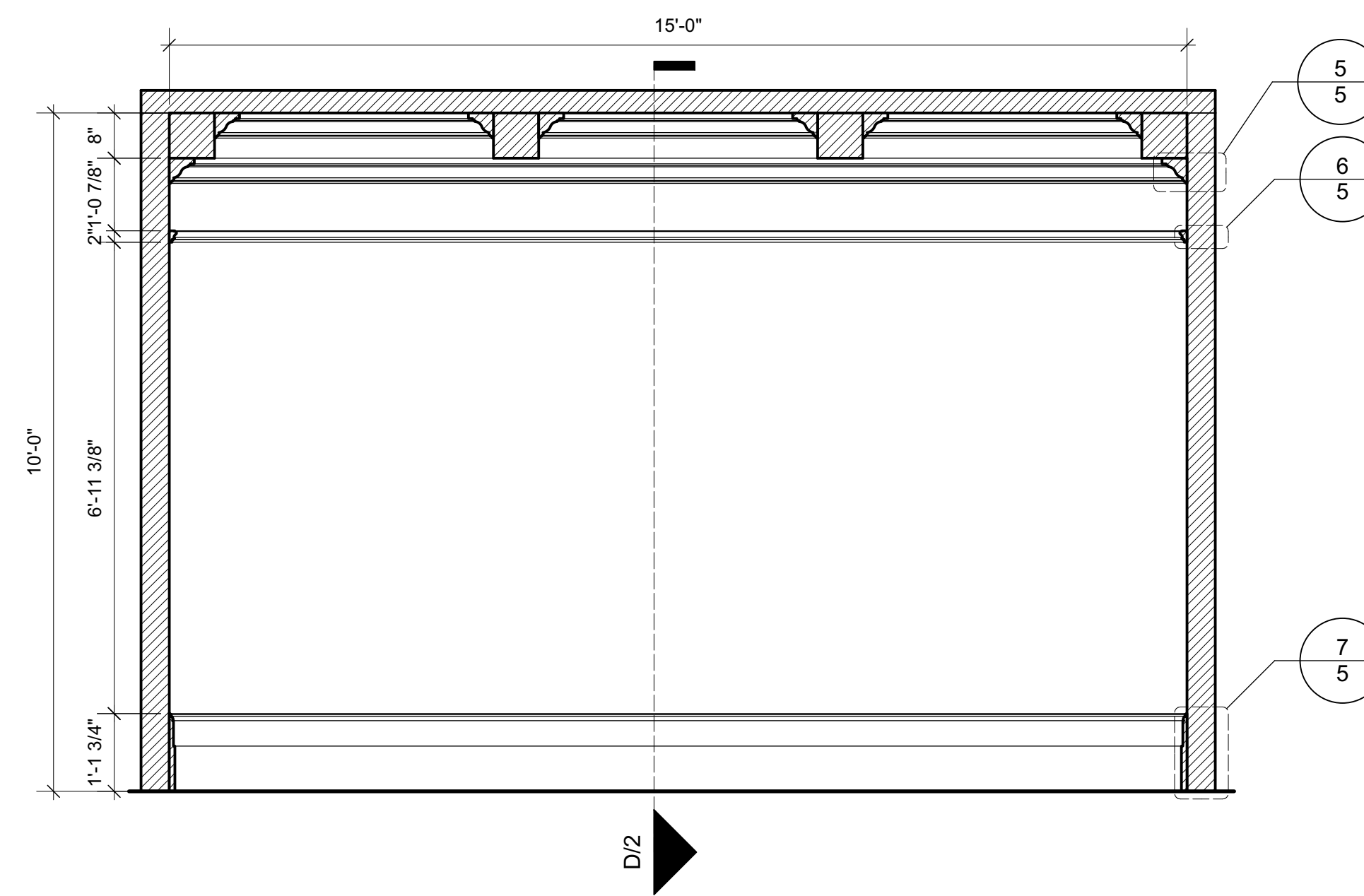
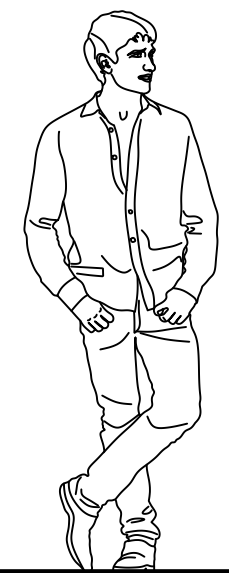
C SECTION
2 Scale: 1/2" = 1'-0"



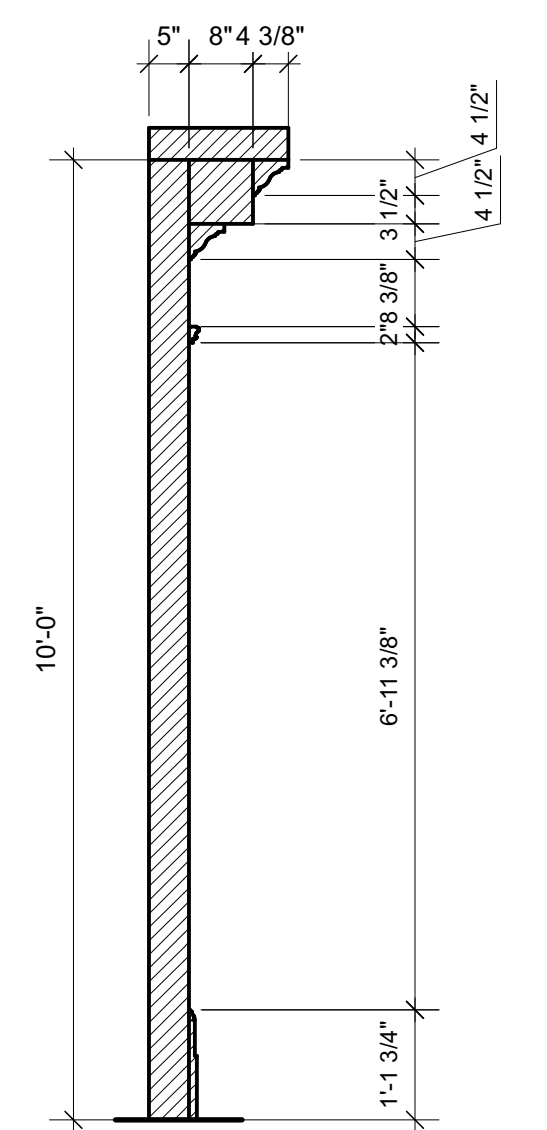
1 SECTION
2 Scale: 1/2" = 1'-0"



A SECTION
2 Scale: 1/2" = 1'-0"



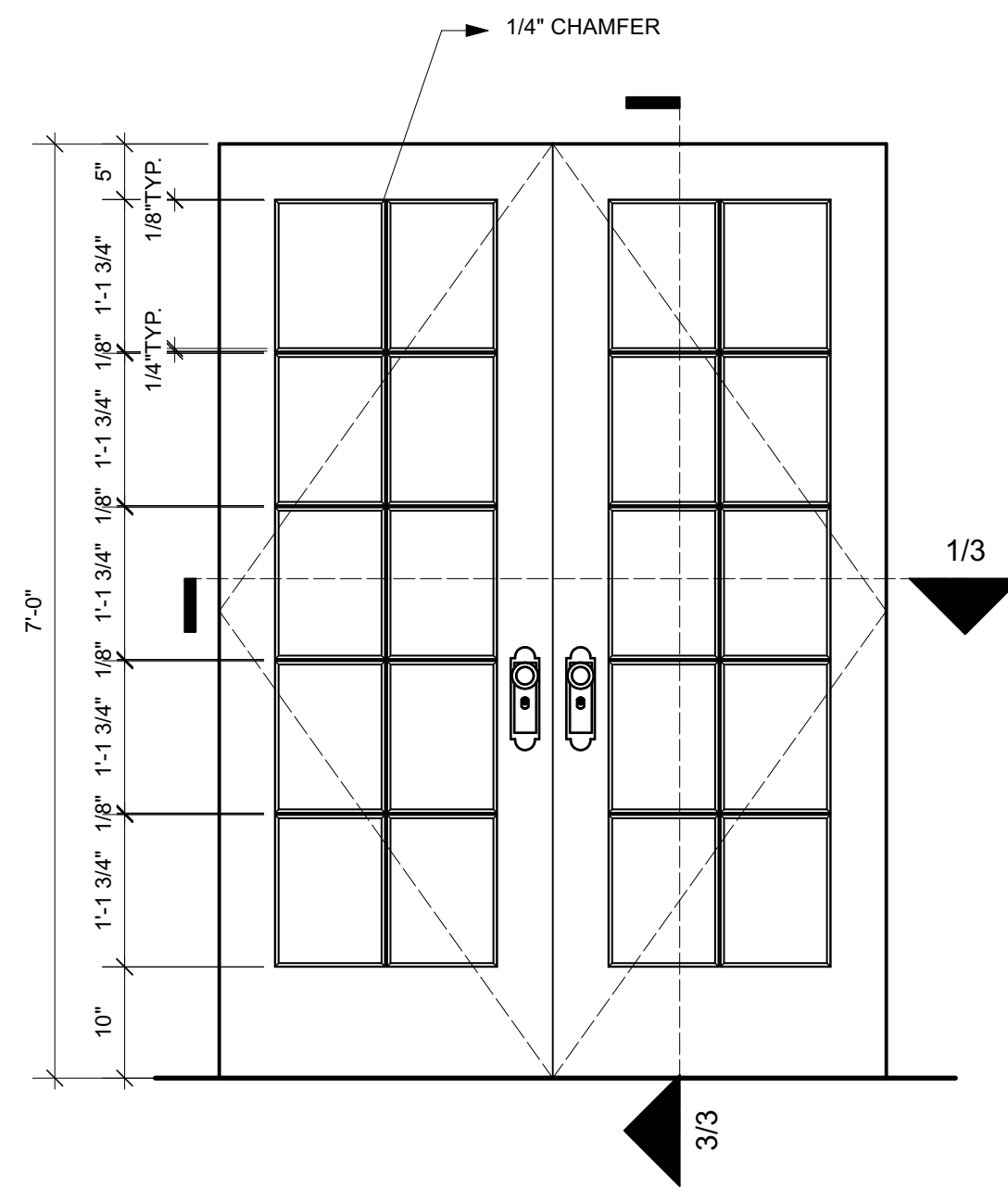
4 SECTION
2 Scale: 1/2" = 1'-0"



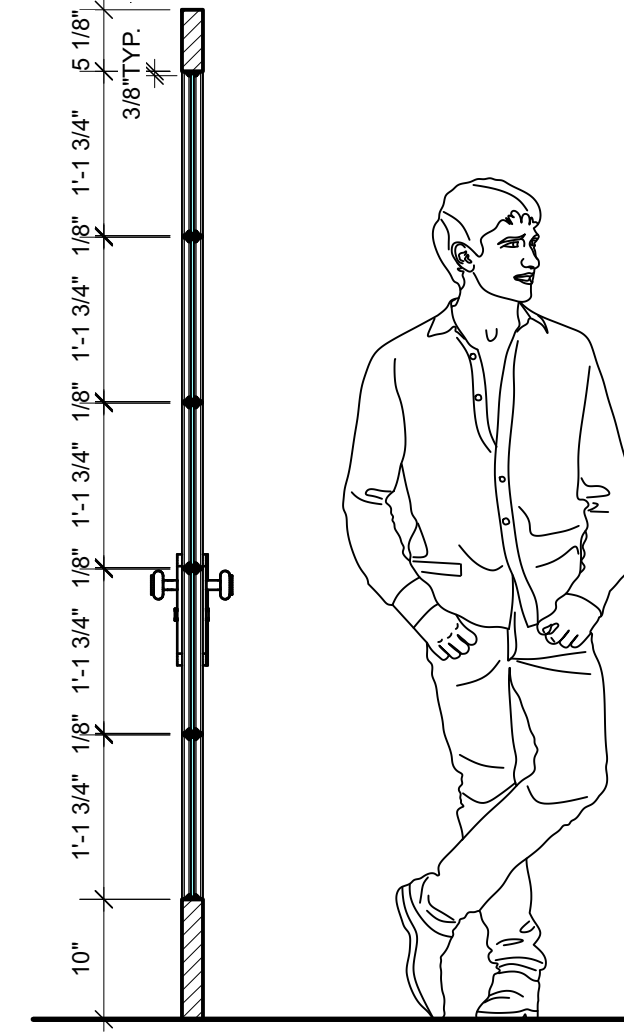
D SECTION
2 Scale: 1/2" = 1'-0"

PRELIMINARY
FOR BID ONLY - DO NOT BUILD

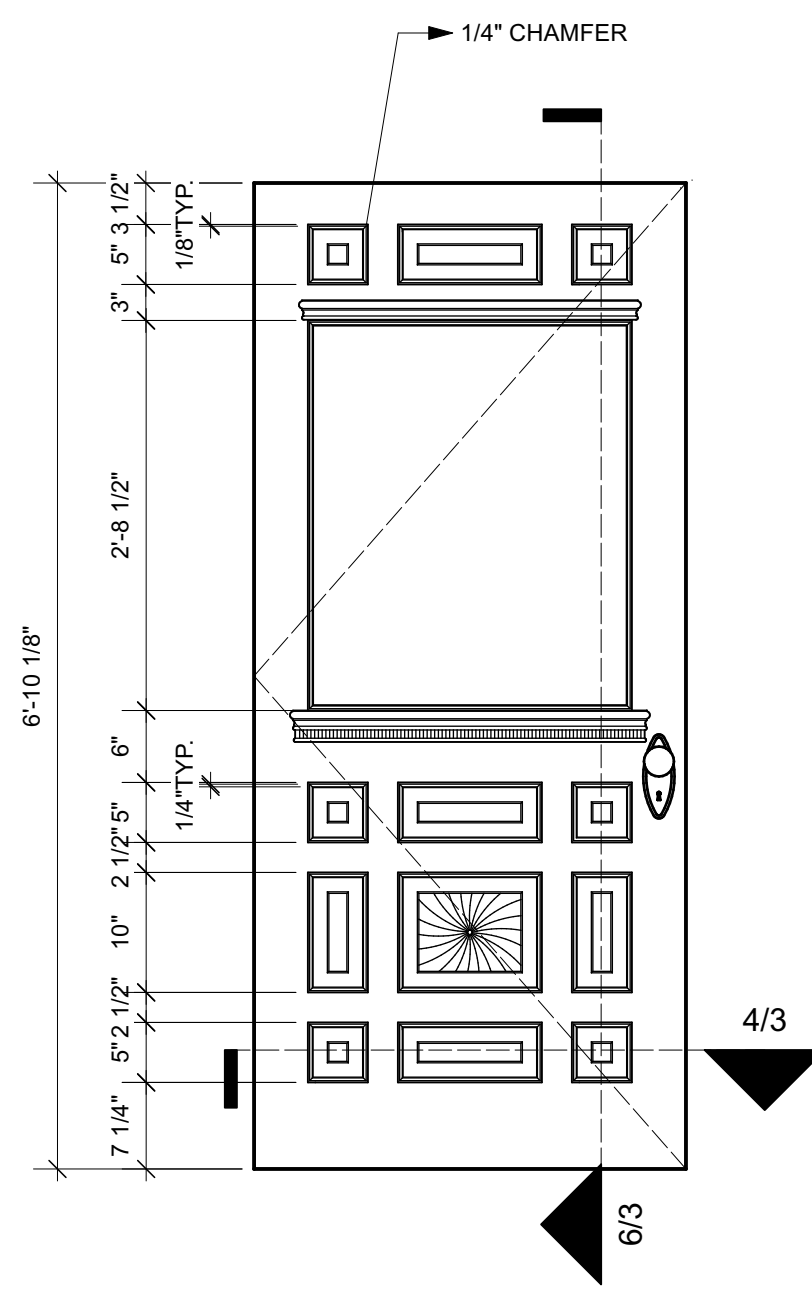
DESIGNED BY Yamilca Fernandez	THE ROOM PROJECT			
DRAWN BY Yamilca Fernandez	TITLE			
CHECKED BY Jake Ewonus	SECTIONS			
APPROVED BY	SIZE	CAGE CODE	DRAWING NUMBER	REV
CAD FILE NAME THE ROOM PROJECT.vwx	SCALE 1/2":1'	EST. WGT	SHEET 2 OF 6	



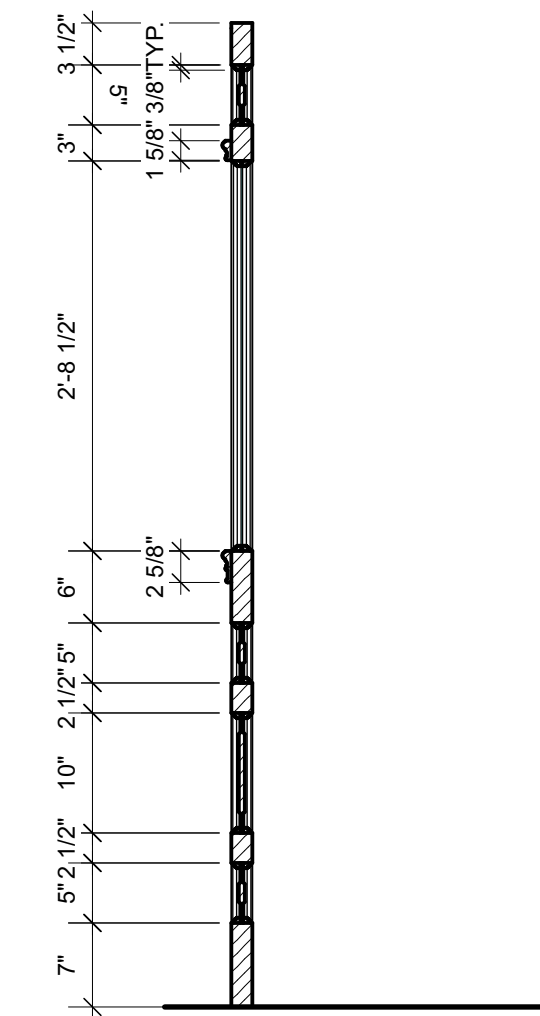
2 DOOR 1 ELEVATION
3 Scale: 3/4" = 1'-0"



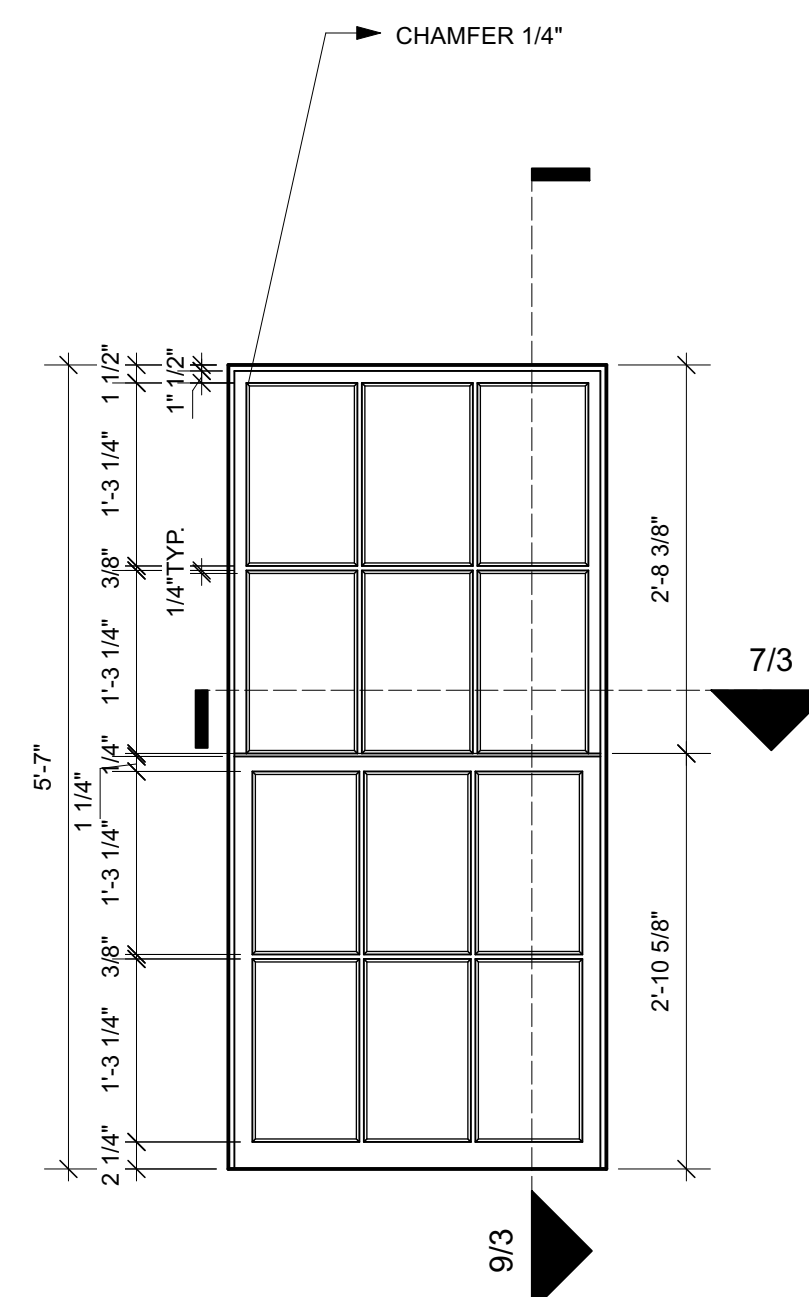
3 DOOR 1 SECTION
3 Scale: 3/4" = 1'-0"



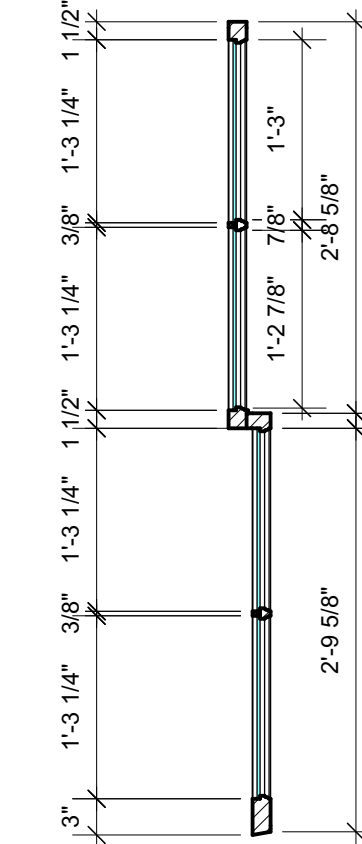
5 DOOR 2 ELEVATION
3 Scale: 3/4" = 1'-0"



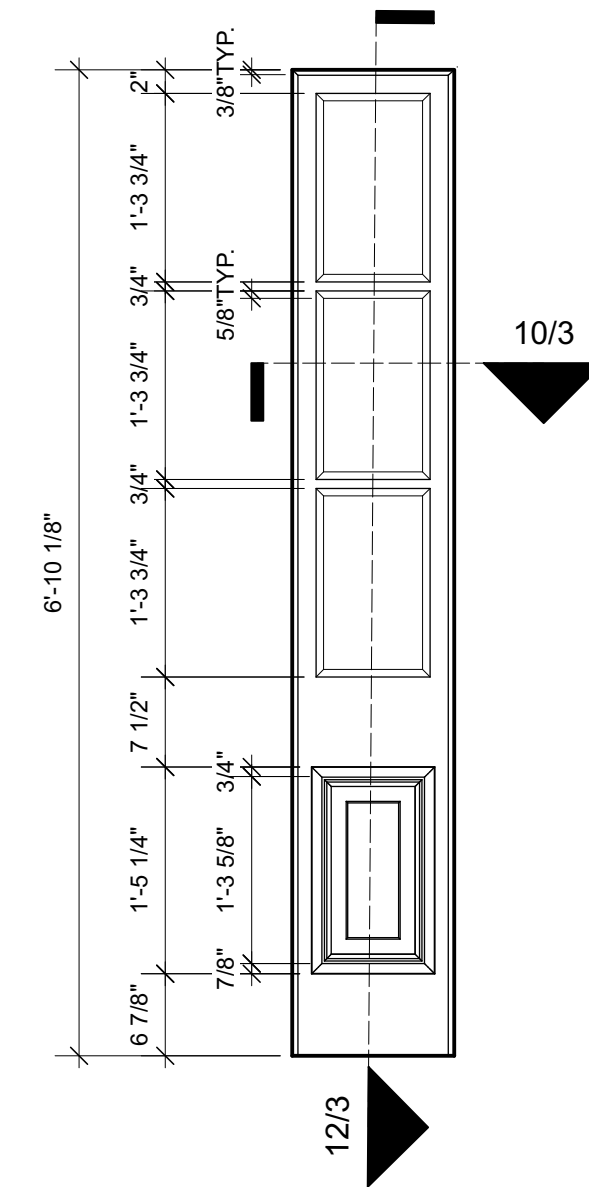
6 DOOR 2 SECTION
3 Scale: 3/4" = 1'-0"



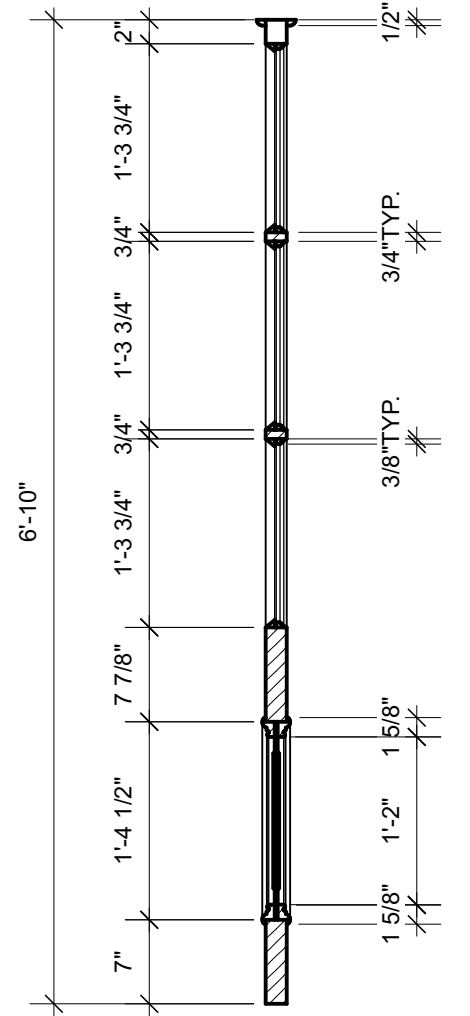
8 WINDOW 1 ELEVATION
3 Scale: 3/4" = 1'-0"



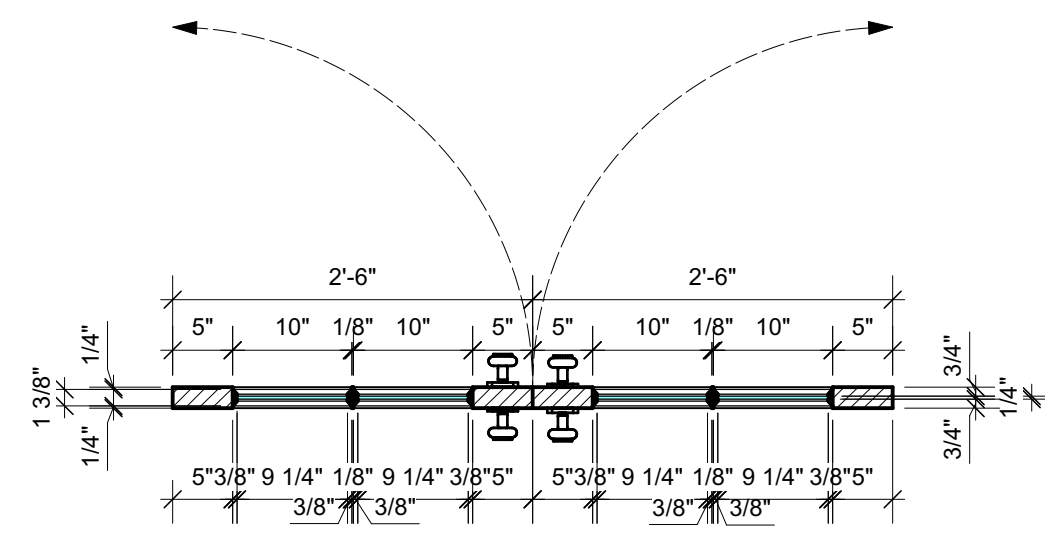
9 WINDOW 1 SECTION
3 Scale: 3/4" = 1'-0"



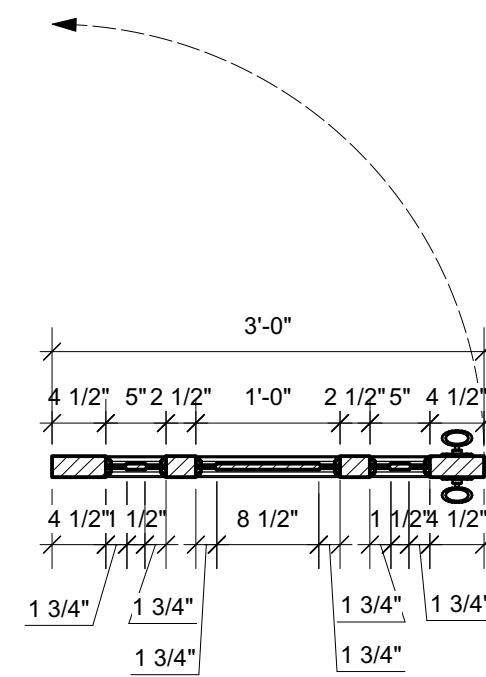
11 WINDOW 2 ELEVATION
3 Scale: 3/4" = 1'-0"



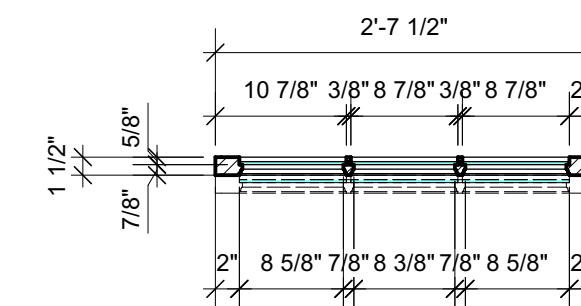
12 WINDOW 2 SECTION
3 Scale: 3/4" = 1'-0"



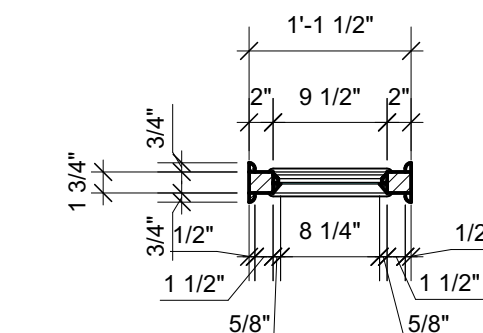
1 DOOR 1 PLAN
3 Scale: 3/4" = 1'-0"



4 DOOR 2 PLAN
3 Scale: 3/4" = 1'-0"



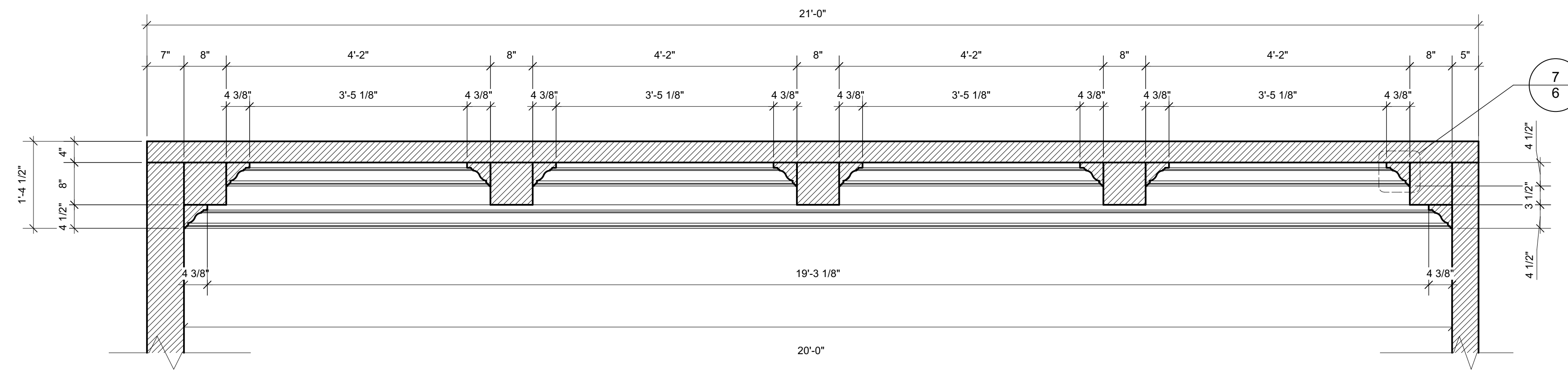
7 WINDOW 1 PLAN
3 Scale: 3/4" = 1'-0"



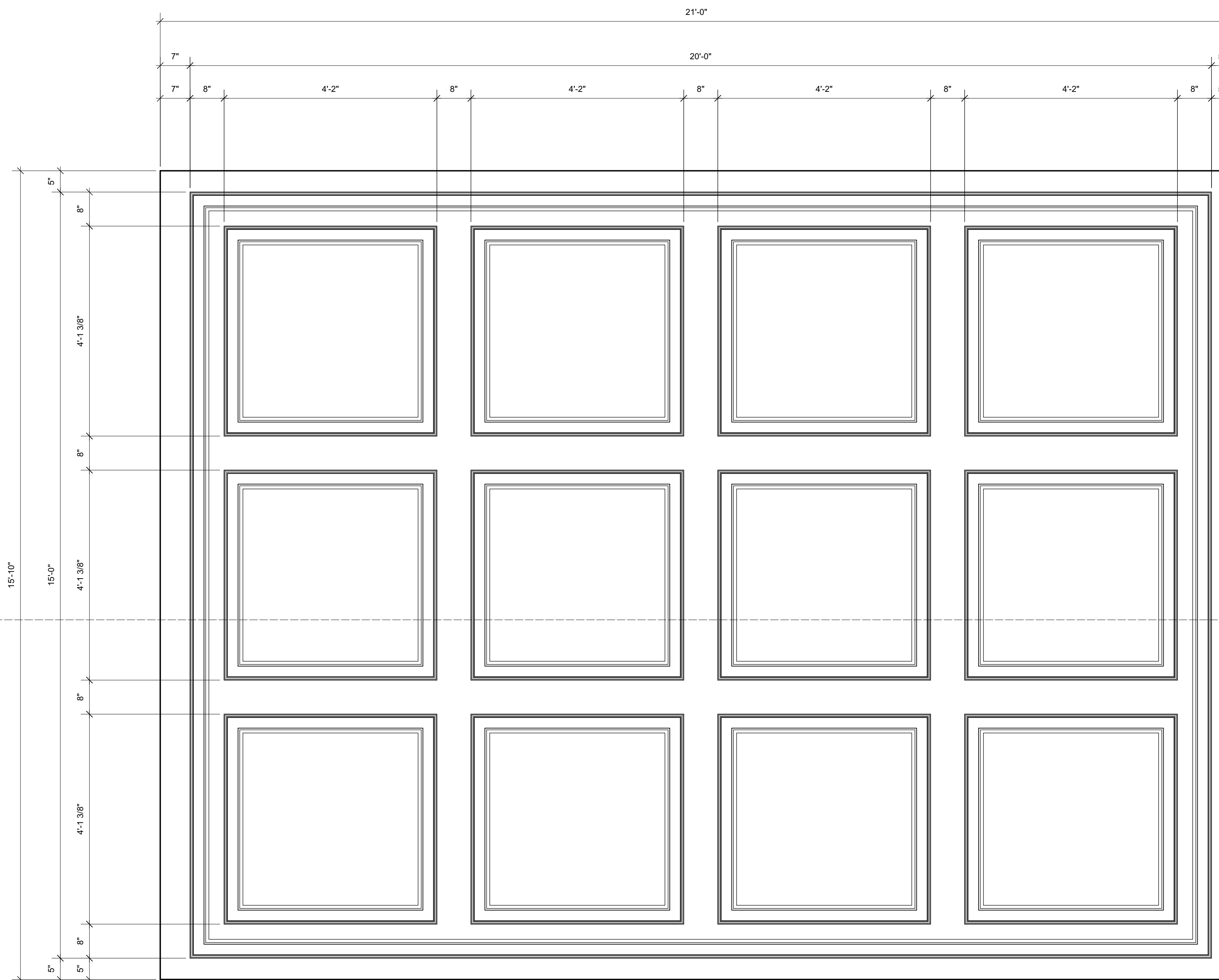
10 WINDOW 2 PLAN
3 Scale: 3/4" = 1'-0"

PRELIMINARY
FOR BID ONLY - DO NOT BUILD

DESIGNED BY Yamilca Fernandez	THE ROOM PROJECT			
DRAWN BY Yamilca Fernandez	TITLE			
CHECKED BY Jake Ewonus	DOORS & WINDOWS			
APPROVED BY	SIZE	CAGE CODE	DRAWING NUMBER	REV
OTHER APPROVALS				
CAD FILE NAME THE ROOM PROJECT.vwx	SCALE 3/4"=1'	EST. WGT	SHEET 3	OF 6



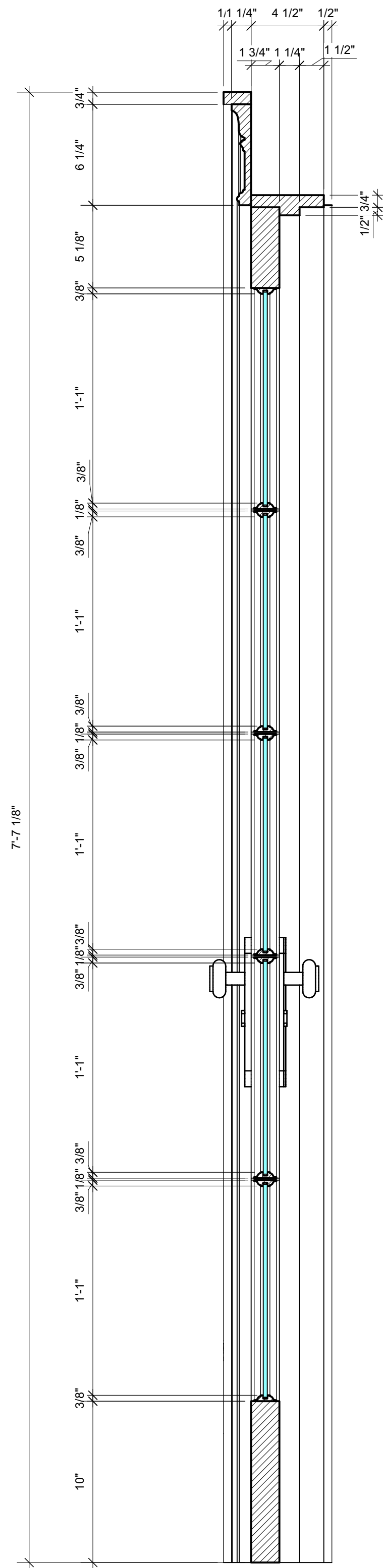
2 CEILING SECTION
Scale: 3/4" = 1'-0"



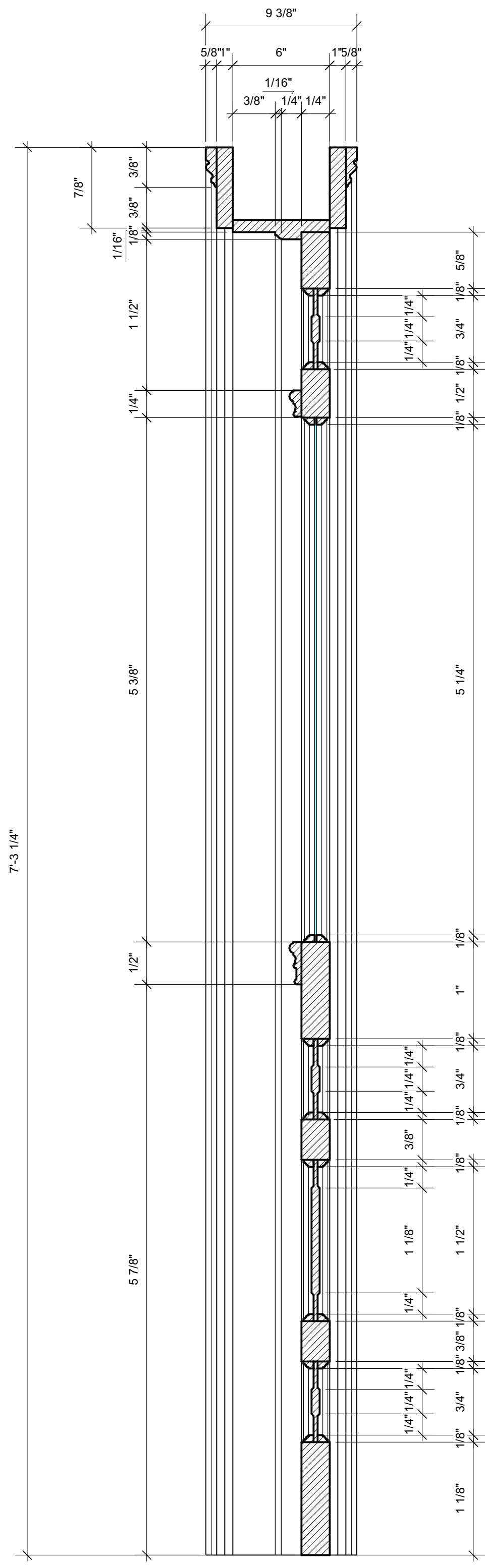
1 REFLECTED CEILING PLAN
Scale: 3/4" = 1'-0"

PRELIMINARY
FOR BID ONLY - DO NOT BUILD

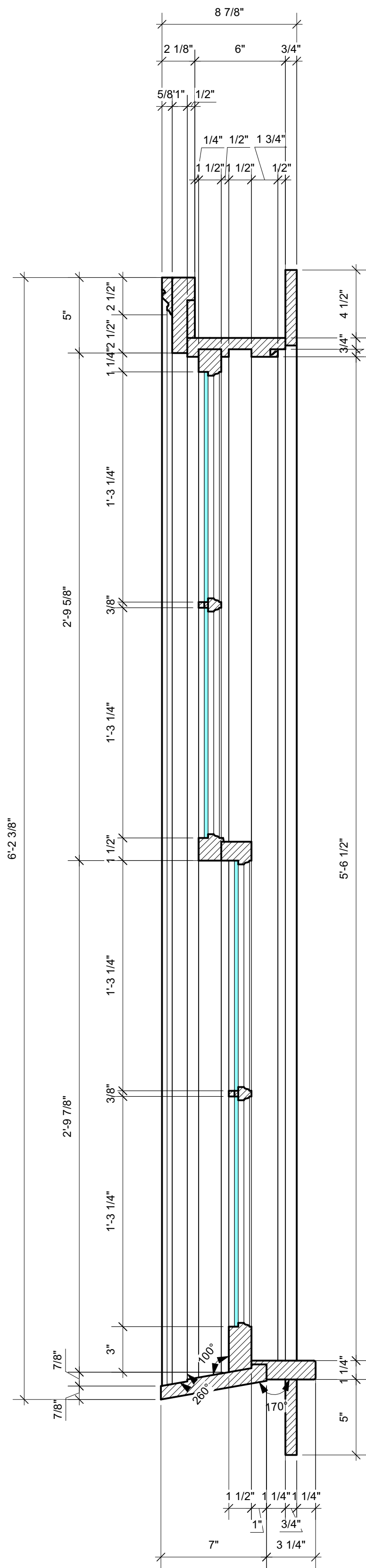
DESIGNED BY Yamilca Fernandez	THE ROOM PROJECT		
DRAWN BY Yamilca Fernandez	TITLE		
CHECKED BY Jake Ewonus	REFLECTED CEILING PLAN		
APPROVED BY	SIZE	CAGE CODE	DRAWING NUMBER
OTHER APPROVALS	SCALE 3/4" = 1'-0"	EST. WGT	SHEET 4 OF 6
CAD FILE NAME THE ROOM PROJECT.vwx			



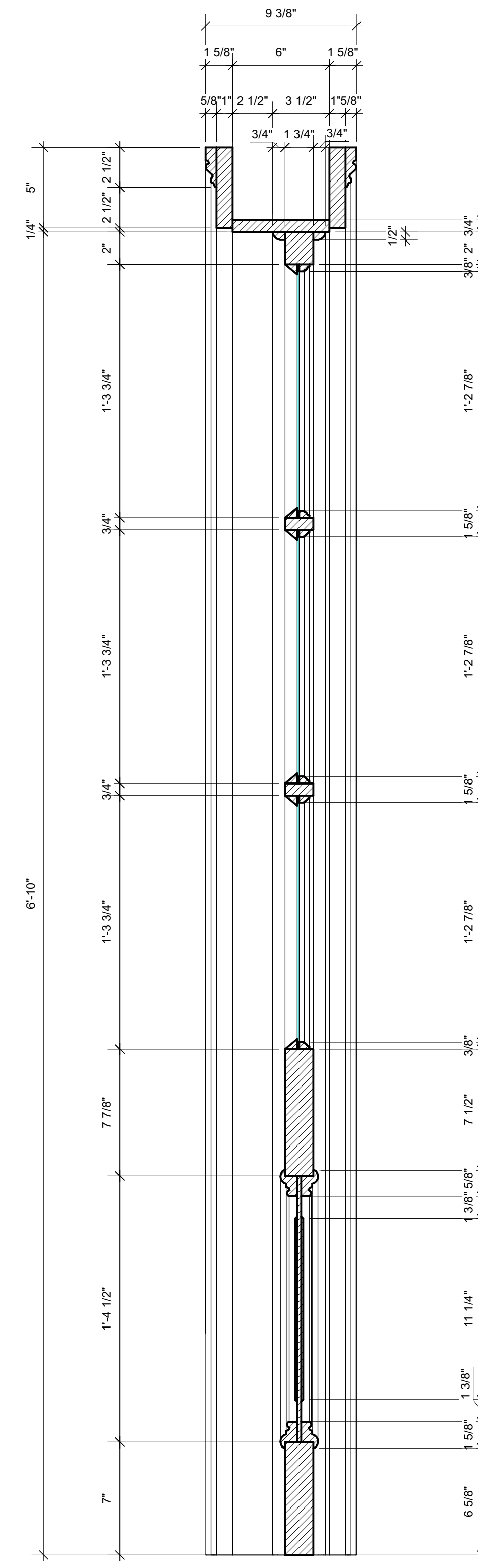
1 DOOR 1 DETAIL
5 Scale: 2" = 1'-0"



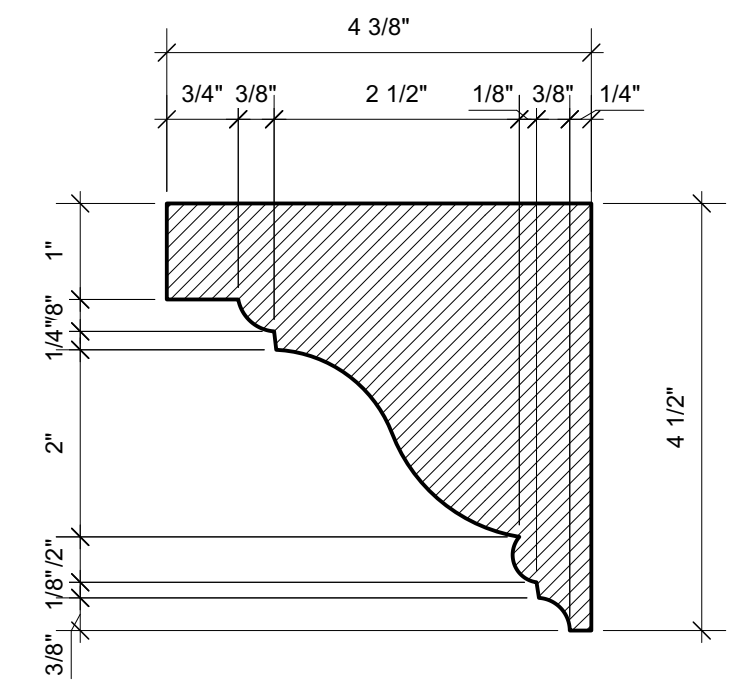
2 DOOR 2 DETAIL
5 Scale: 2" = 1'-0"



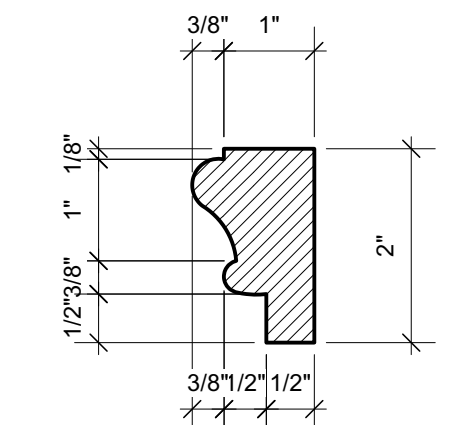
3 WINDOW 1 DETAIL
5 Scale: 2" = 1'-0"



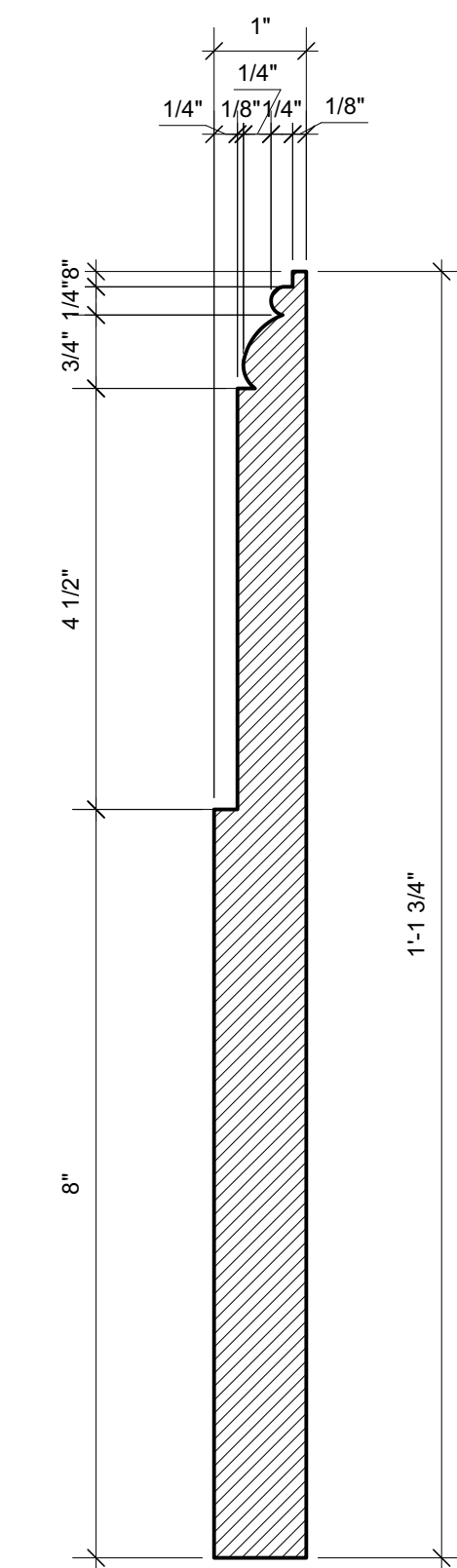
4 WINDOW 2 DETAIL
5 Scale: 2" = 1'-0"



5 CROWN MOULDING
5 Scale: Half Actual Size



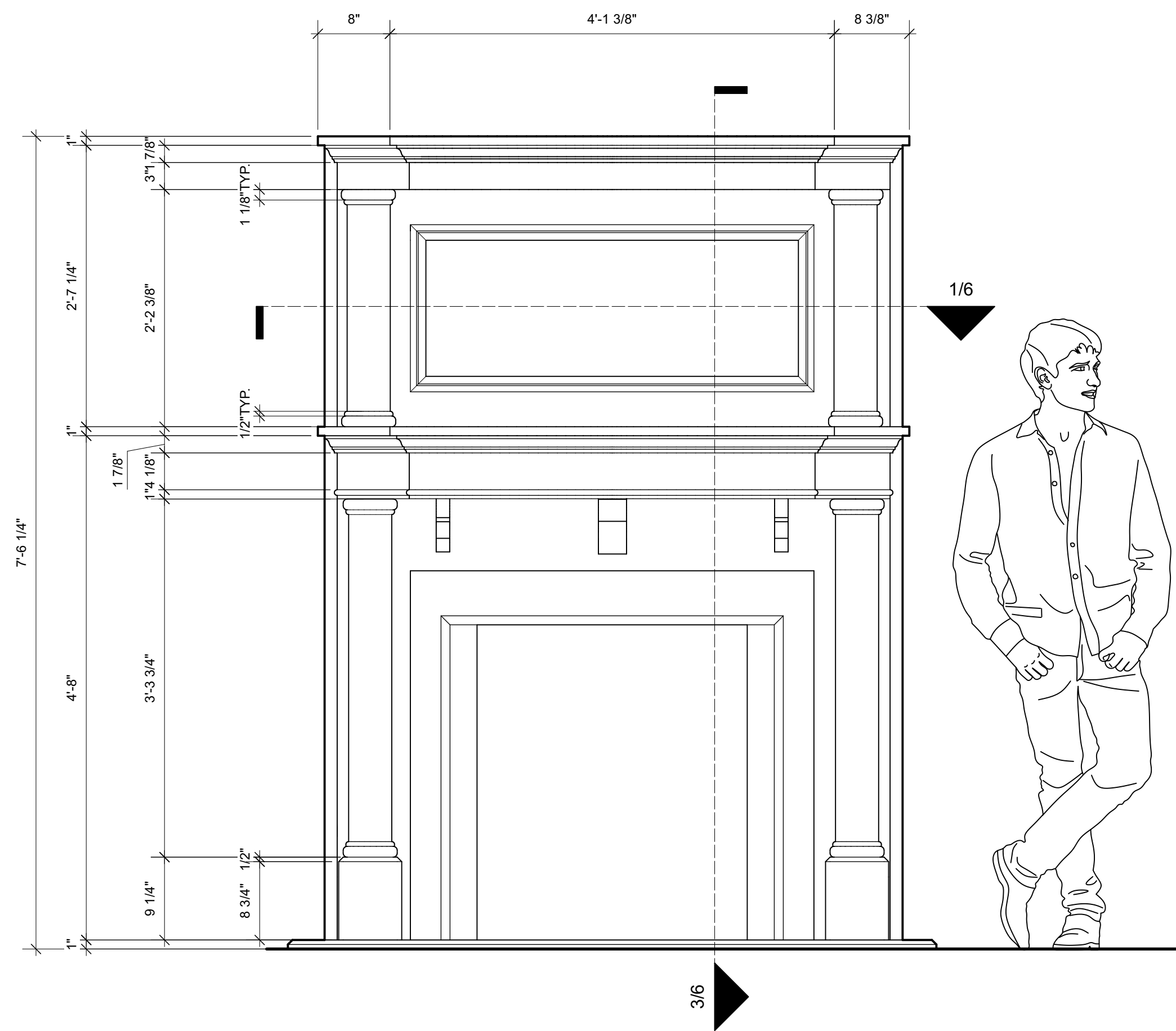
6 MOULDING
5 Scale: Half Actual Size



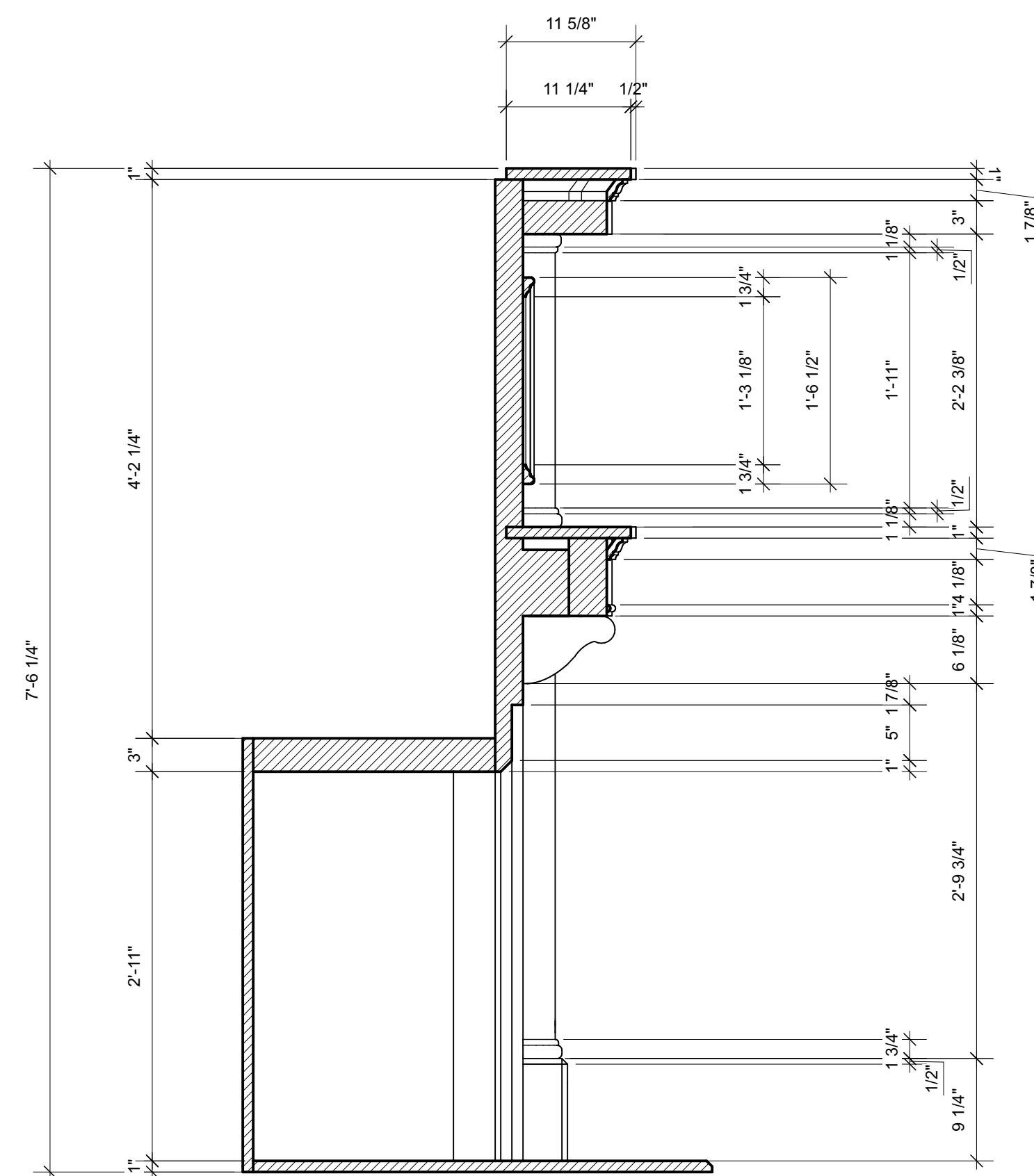
7 BASEBOARD
5 Scale: Half Actual Size

PRELIMINARY
FOR BID ONLY - DO NOT BUILD

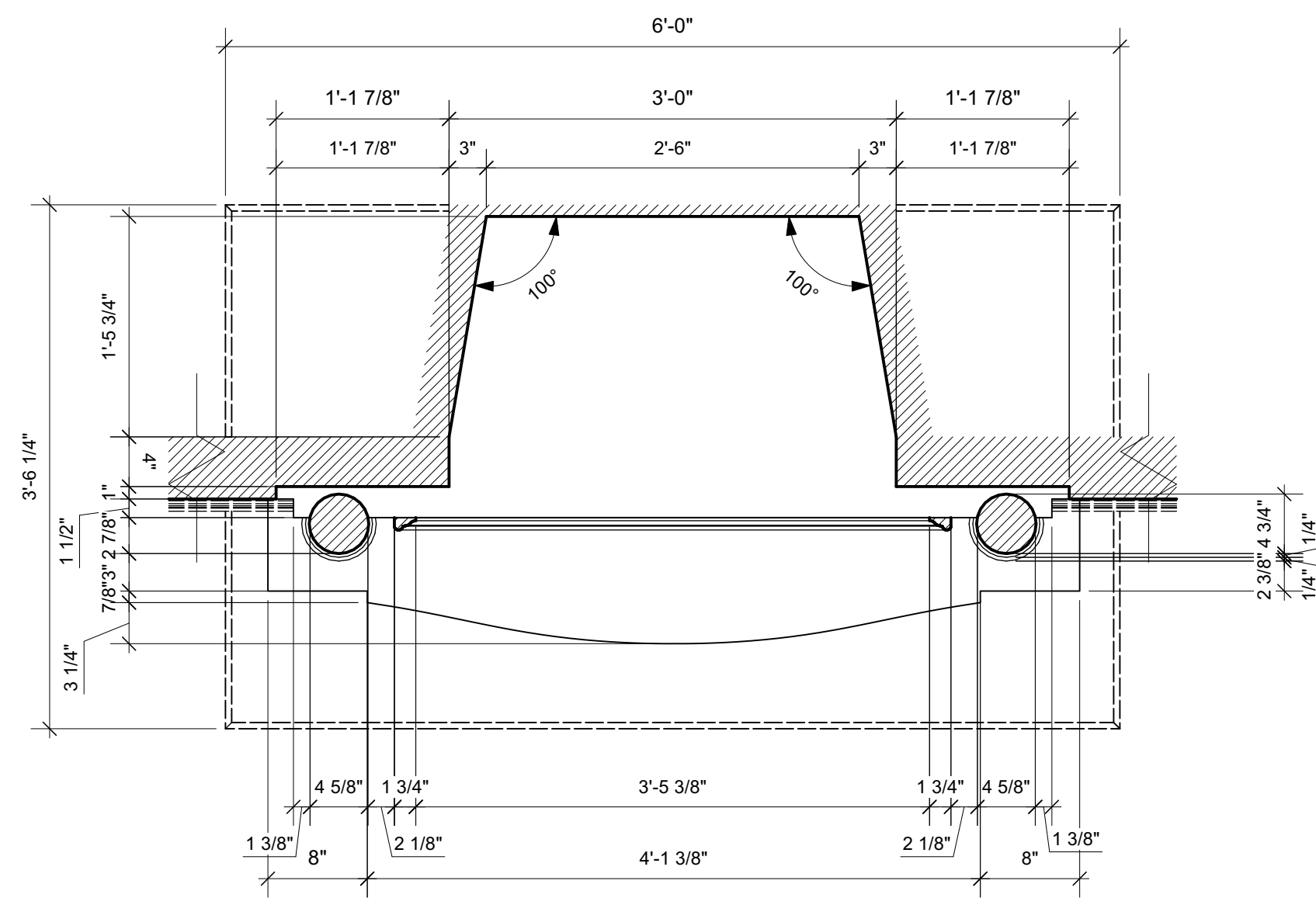
DESIGNED BY Yamilca Fernandez	THE ROOM PROJECT			
DRAWN BY Yamilca Fernandez	TITLE			
CHECKED BY Jake Ewonus	DETAILS			
APPROVED BY	SIZE	CAGE CODE	DRAWING NUMBER	REV
OTHER APPROVALS	SCALE	AS NOTED	EST. WGT	SHEET 5 OF 6
CAD FILE NAME THE ROOM PROJECT.vwx				



2 FIREPLACE ELEVATION
6 Scale: 1" = 1'-0"



3 FIREPLACE SECTION
6 Scale: 1" = 1'-0"



1 FIREPLACE PLAN
6 Scale: 1" = 1'-0"

PRELIMINARY
FOR BID ONLY - DO NOT BUILD

DESIGNED BY Yamilca Fernandez	THE ROOM PROJECT			
DRAWN BY Yamilca Fernandez	TITLE			
CHECKED BY Jake Ewonus	FIREPLACE DETAIL			
APPROVED BY	SIZE	CAGE CODE	DRAWING NUMBER	REV
CAD FILE NAME THE ROOM PROJECT.vwx	SCALE 1" = 1'-0"	EST. WGT	SHEET 6	OF 6