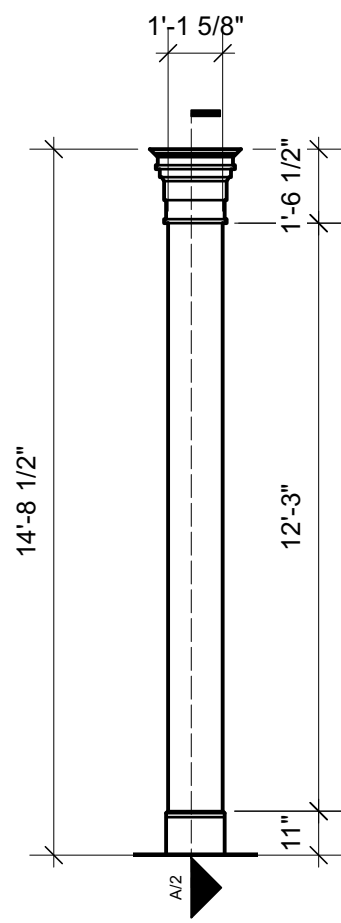


1 GROUND PLAN
Scale: 1/4" = 1'-0"

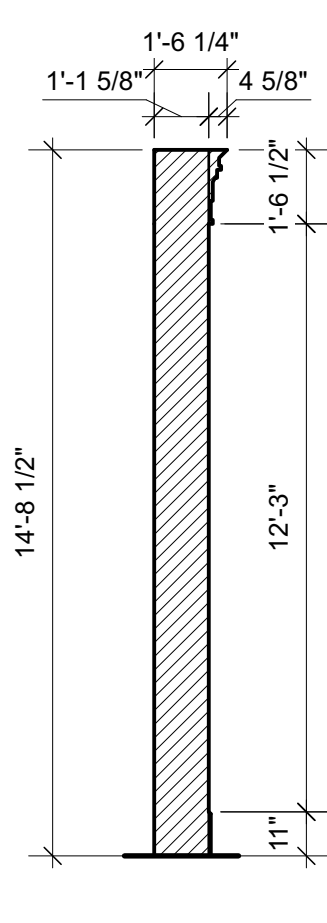
PRELIMINARY
FOR BID ONLY - DO NOT BUILD

DESIGNED BY Yamilca Fernandez	Rebel Women			
DRAWN BY Yamilca Fernandez	TITLE Ground Plan			
CHECKED BY Jake Ewonus	SIZE	CAGE CODE	DRAWING NUMBER	REV
APPROVED BY	SCALE 1/4"=1'	EST. WGT	SHEET 1	OF 5
CAD FILE NAME Rebel Women.vwx				

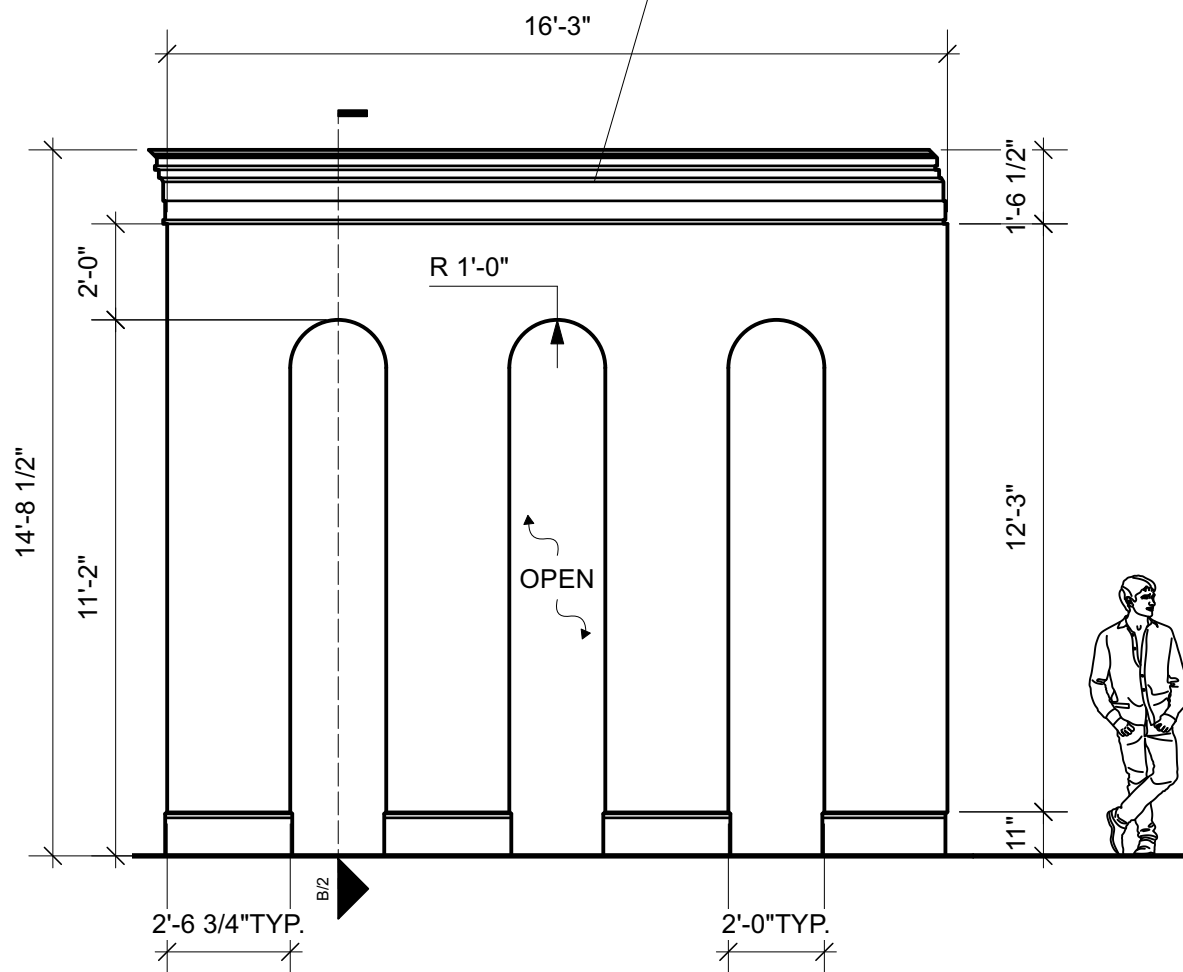
STAINED WOOD, NOT PVC
MATERIALS SELECTED APPROPRIATELY,
DISCUSS.



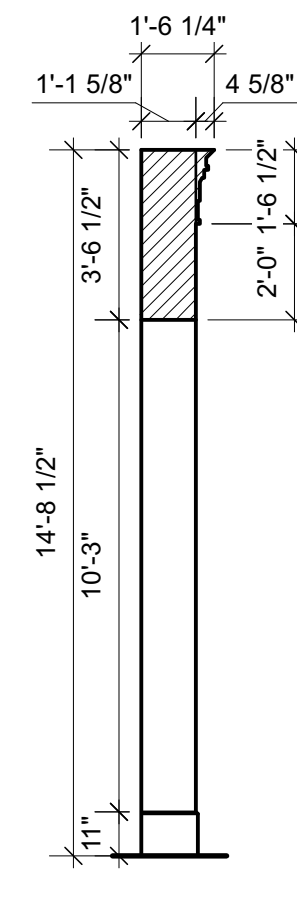
1 ELEVATION
2 Scale: 1/4" = 1'-0"



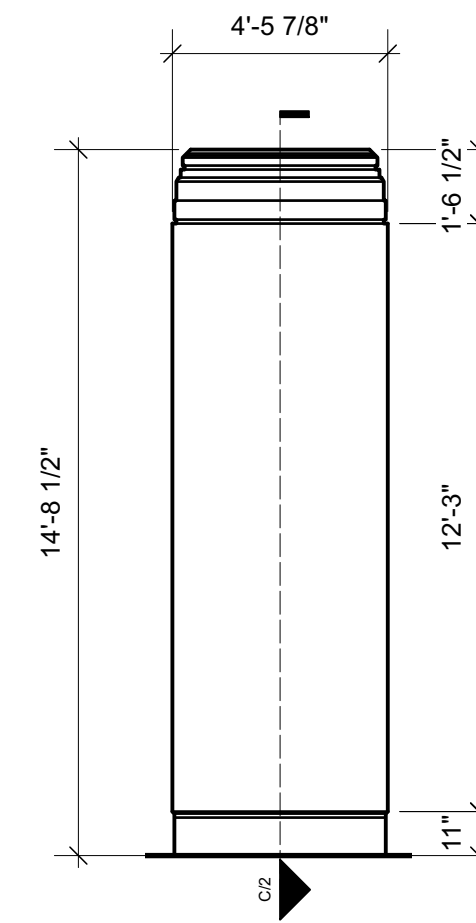
A SECTION
2 Scale: 1/4" = 1'-0"



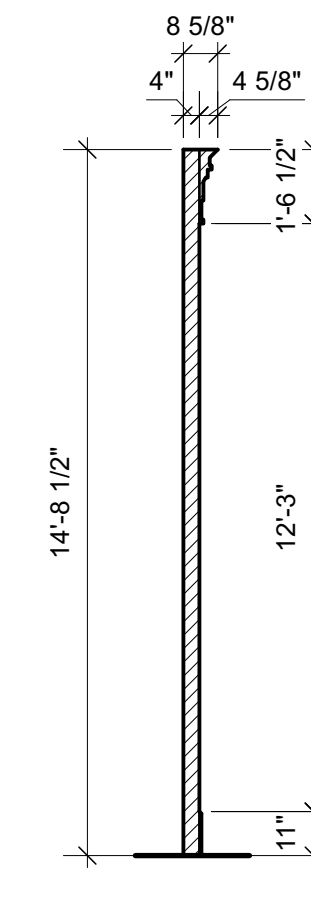
2 ELEVATION
2 Scale: 1/4" = 1'-0"



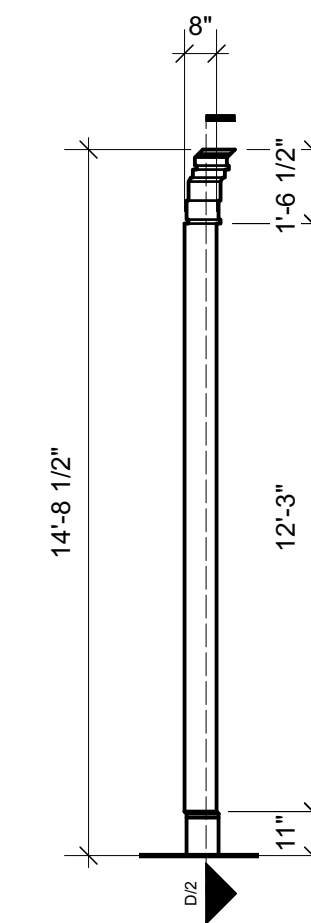
B SECTION
2 Scale: 1/4" = 1'-0"



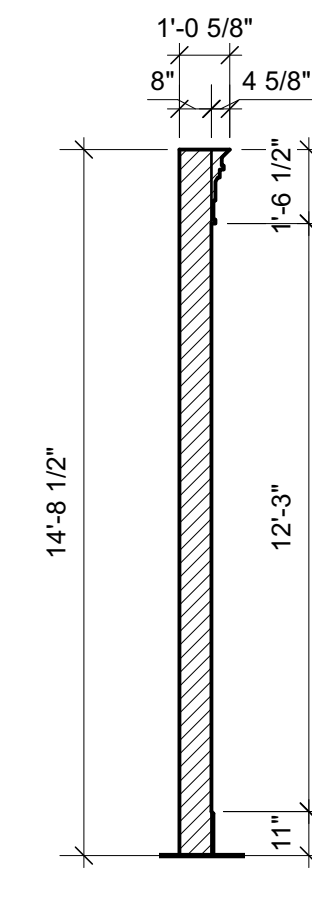
3 ELEVATION
2 Scale: 1/4" = 1'-0"



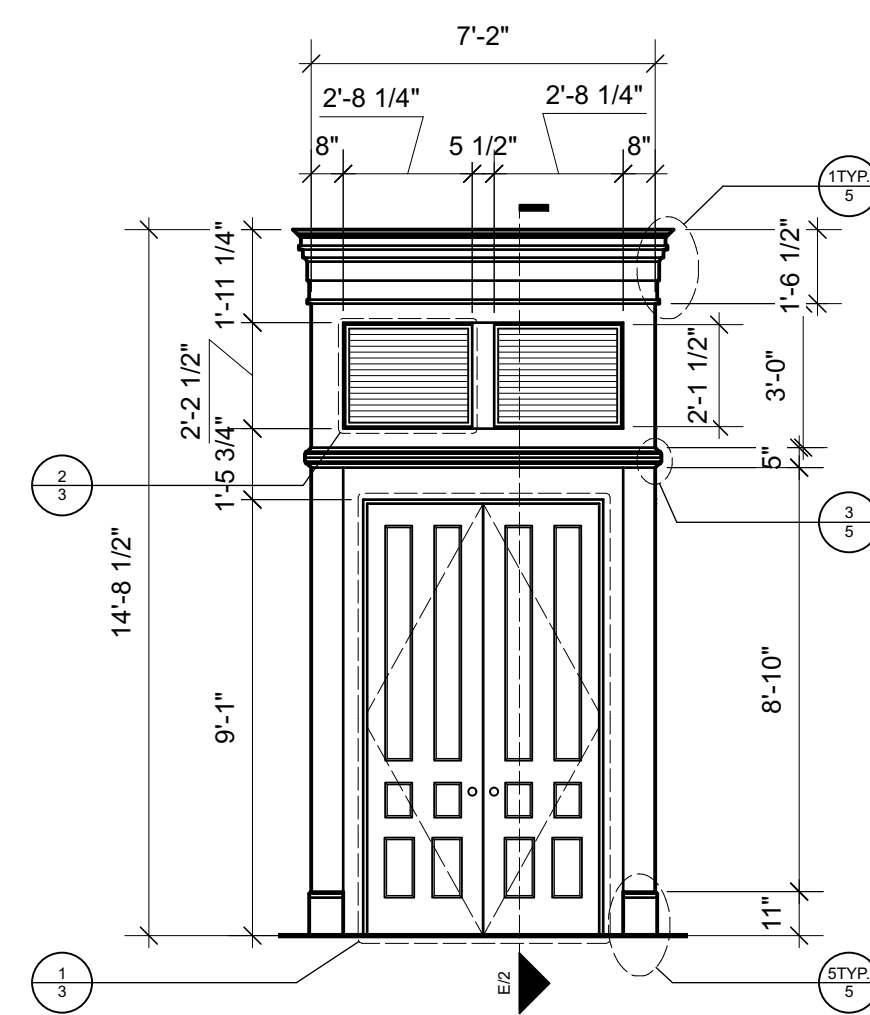
C SECTION
2 Scale: 1/4" = 1'-0"



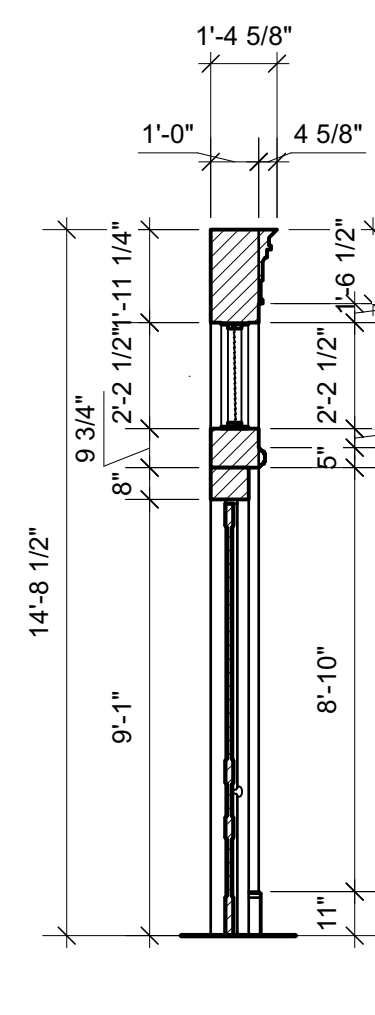
4 ELEVATION
2 Scale: 1/4" = 1'-0"



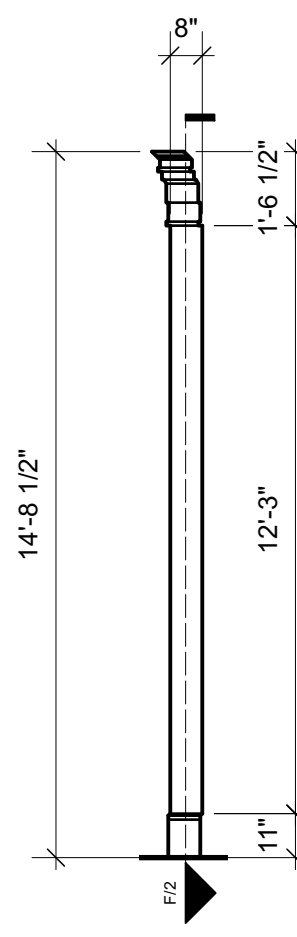
D SECTION
2 Scale: 1/4" = 1'-0"



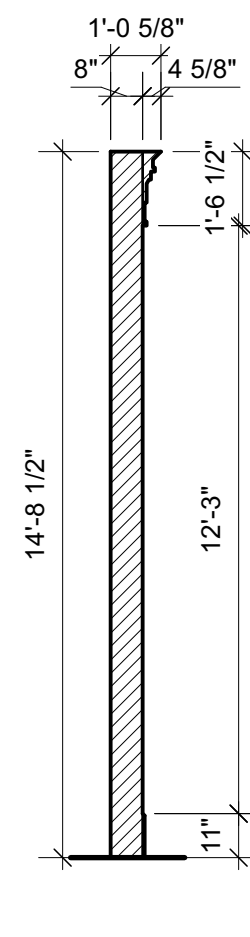
5 ELEVATION
2 Scale: 1/4" = 1'-0"



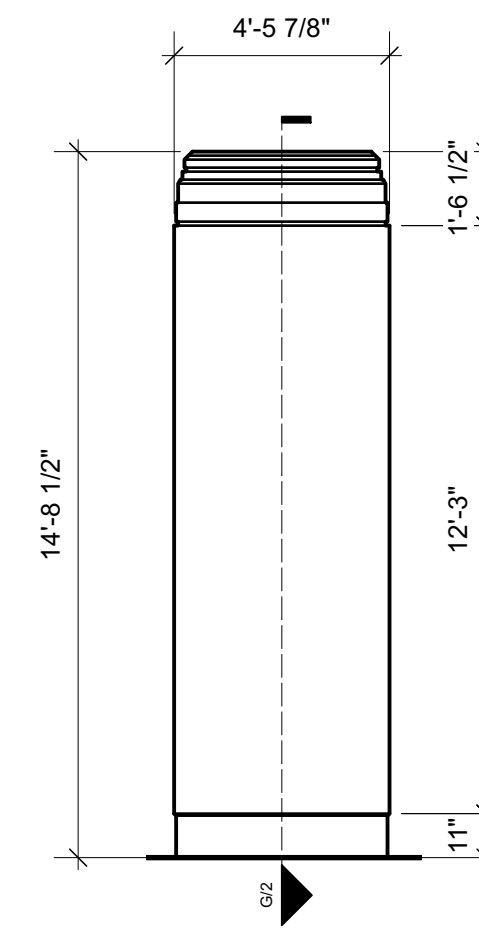
E SECTION
2 Scale: 1/4" = 1'-0"



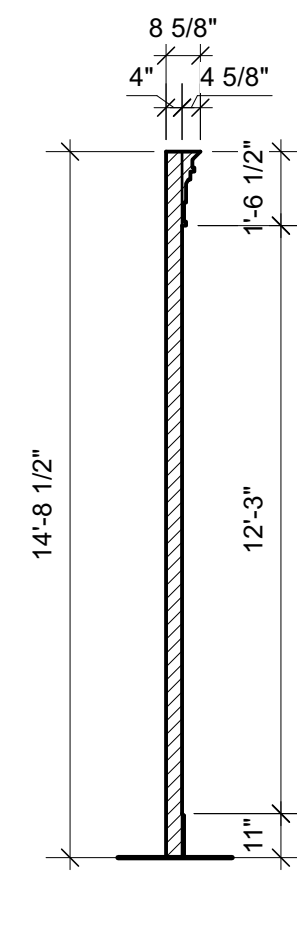
6 ELEVATION
2 Scale: 1/4" = 1'-0"



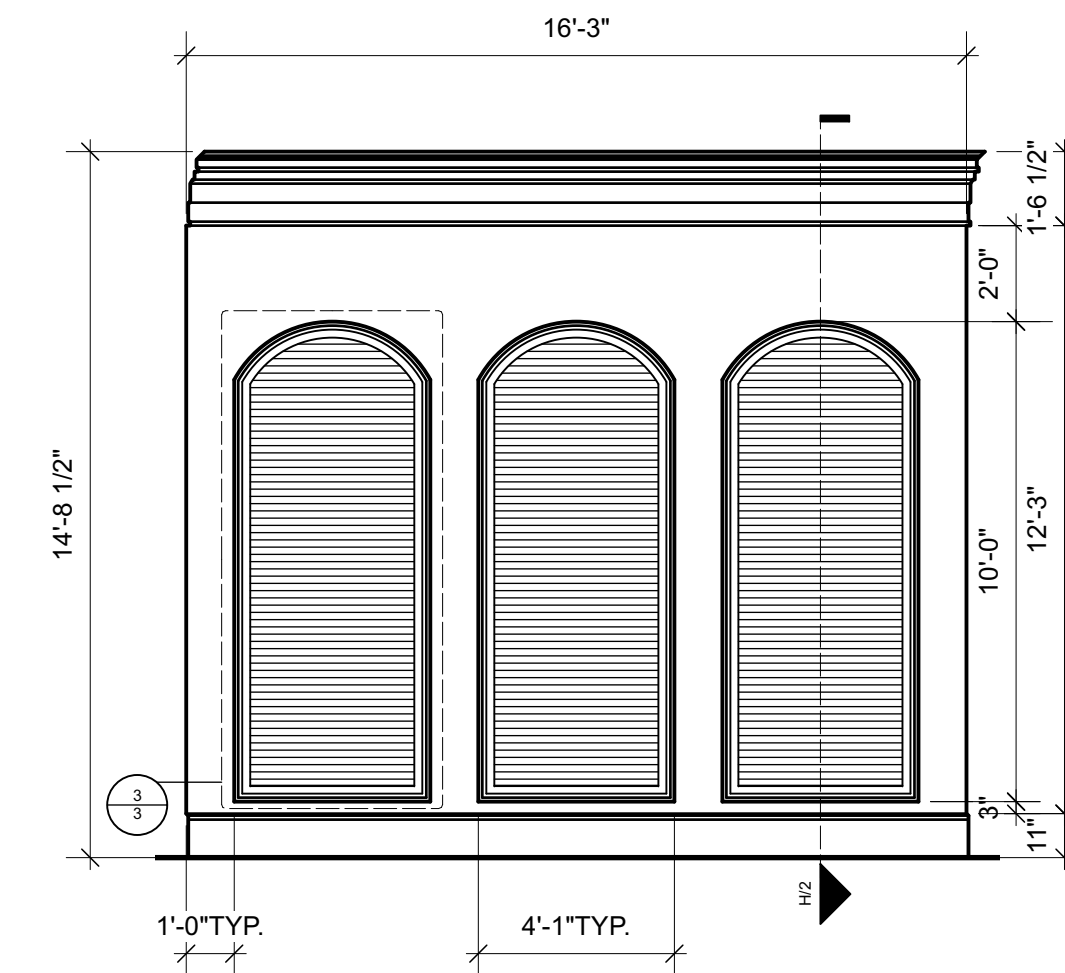
F SECTION
2 Scale: 1/4" = 1'-0"



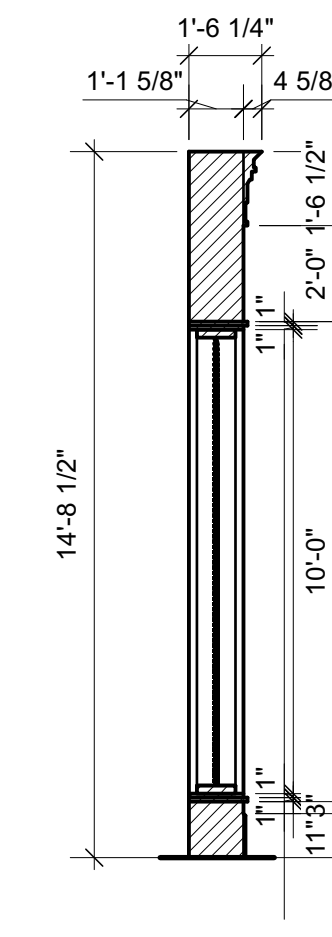
7 ELEVATION
2 Scale: 1/4" = 1'-0"



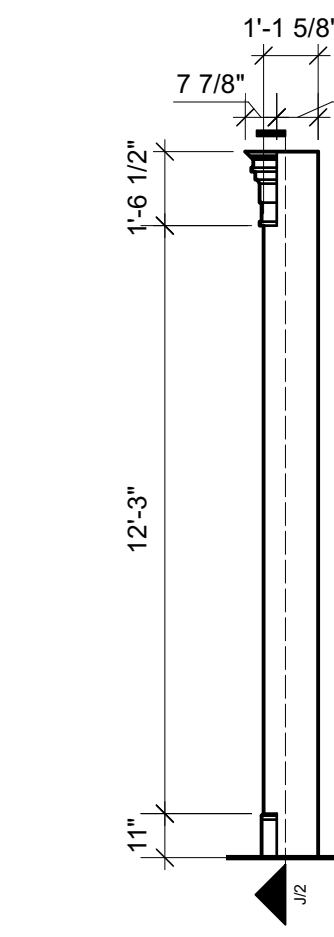
G SECTION
2 Scale: 1/4" = 1'-0"



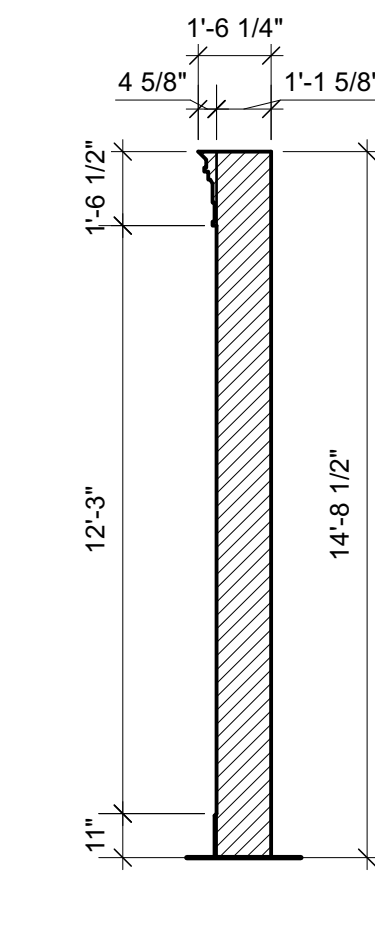
8 ELEVATION
2 Scale: 1/4" = 1'-0"



H SECTION
2 Scale: 1/4" = 1'-0"



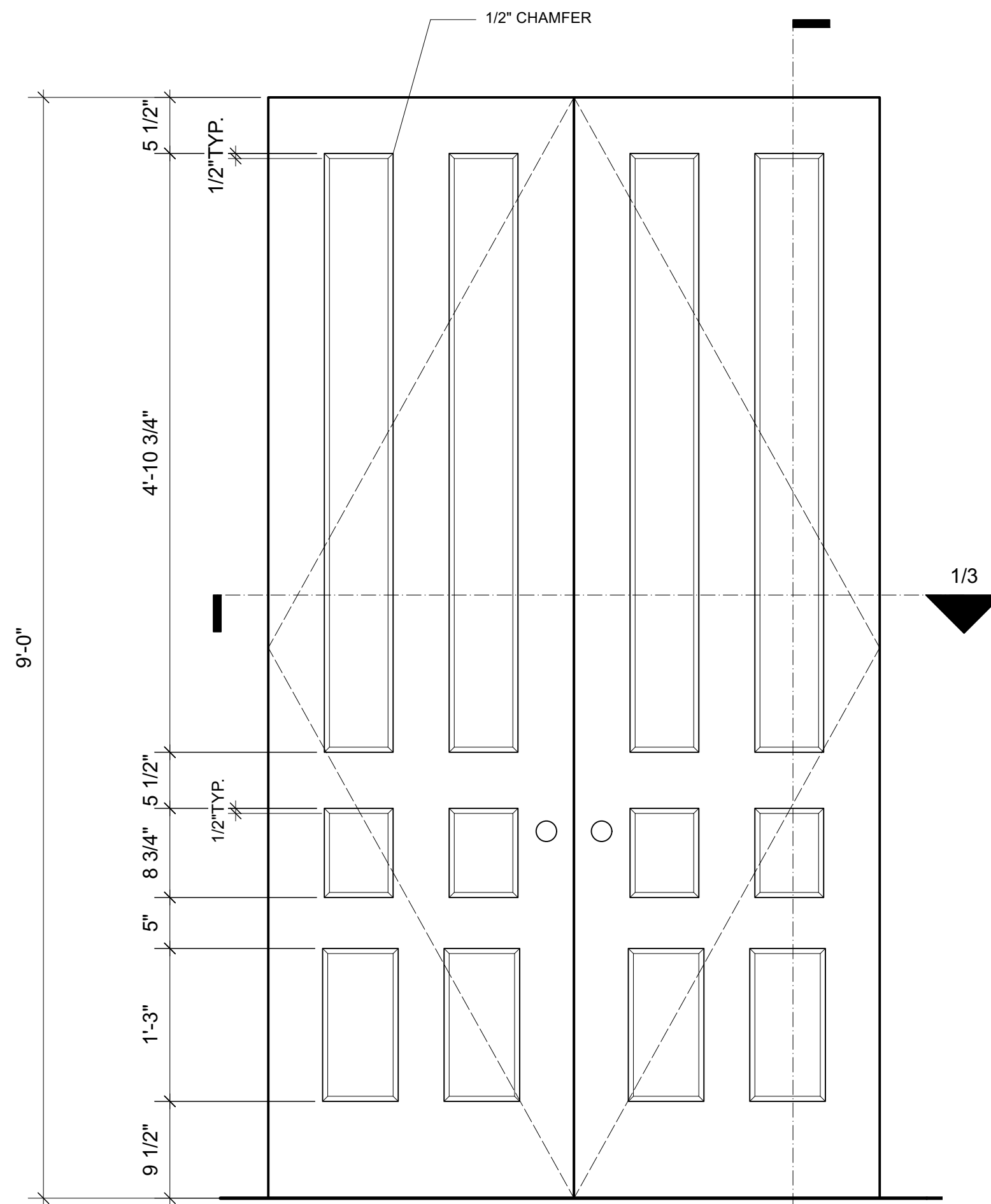
9 ELEVATION
2 Scale: 1/4" = 1'-0"



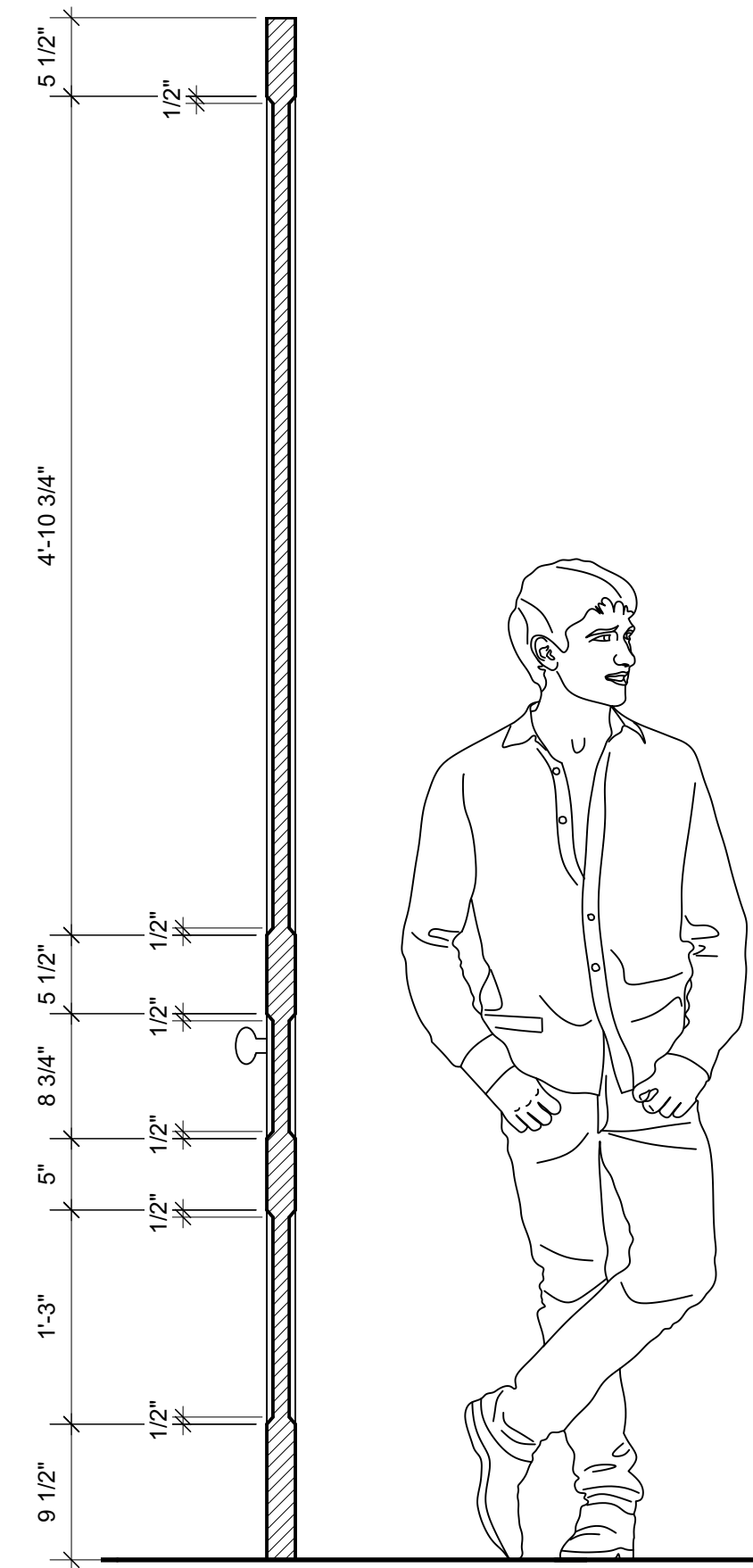
J SECTION
2 Scale: 1/4" = 1'-0"

PRELIMINARY
FOR BID ONLY - DO NOT BUILD

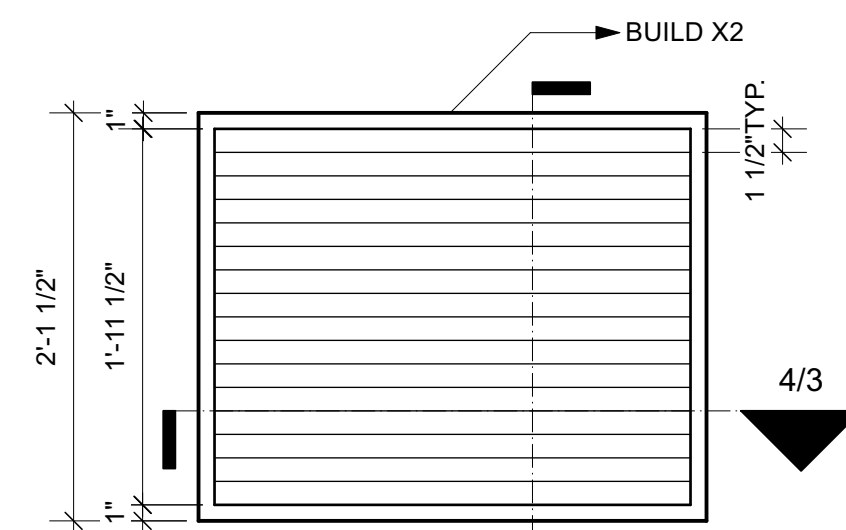
DESIGNED BY Yamilca Fernandez	Rebel Women			
DRAWN BY Yamilca Fernandez	TITLE Elevations & Sections			
CHECKED BY Jake Ewonus	SCALE 1/4"=1'	CAGE CODE	DRAWING NUMBER	REV
APPROVED BY	EST. WGT	SHEET 2 OF 5		
CAD FILE NAME Rebel Women.vwx				



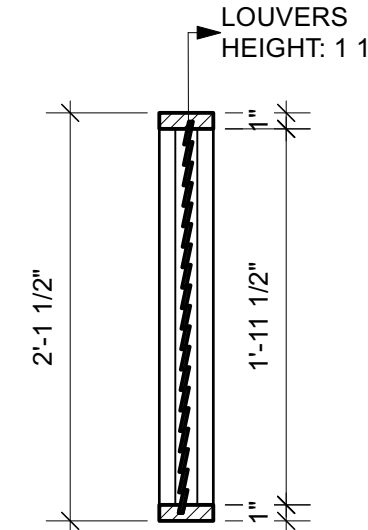
2 DOOR ELEVATION
3 Scale: 1" = 1'-0"



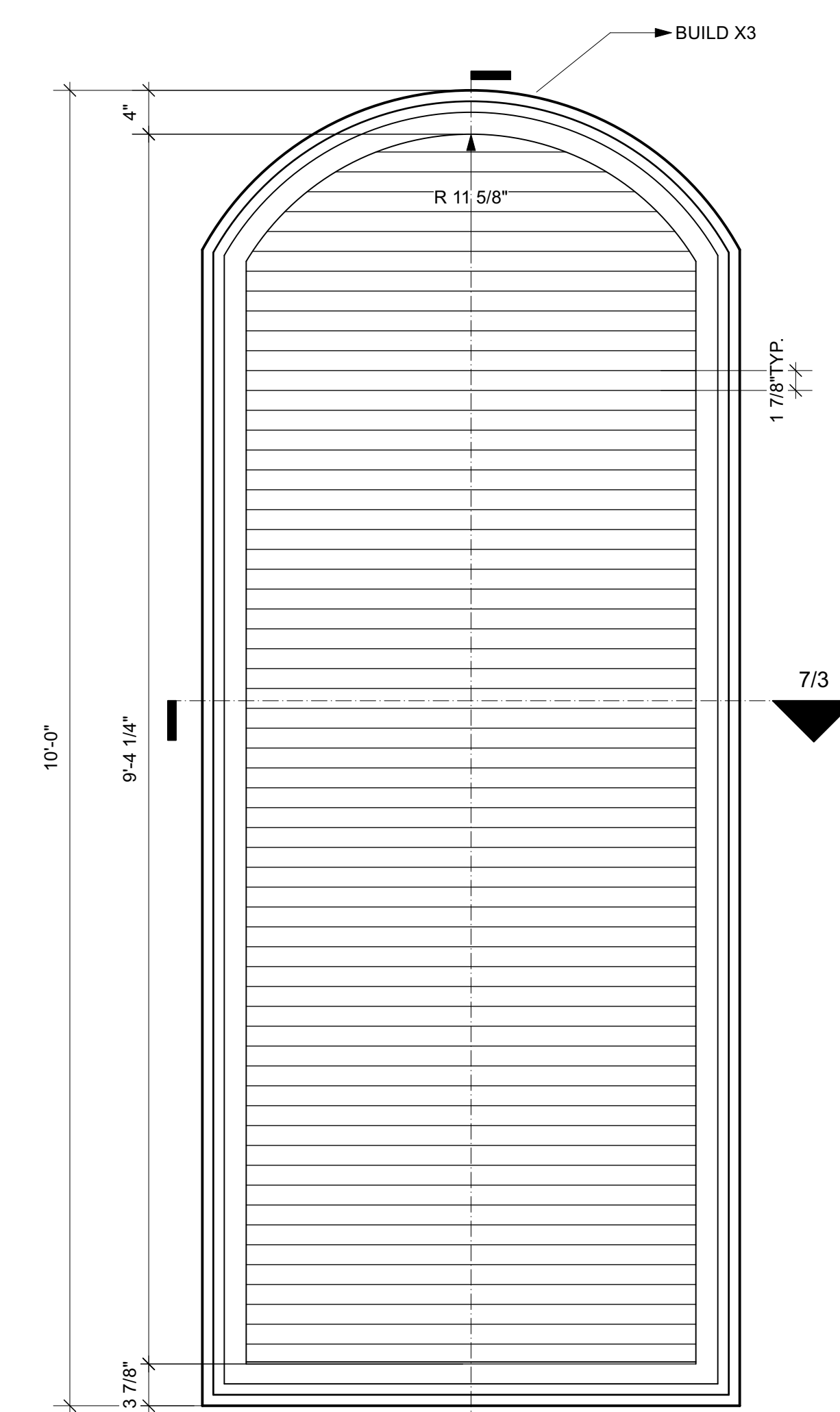
3 DOOR SECTION
3 Scale: 1" = 1'-0"



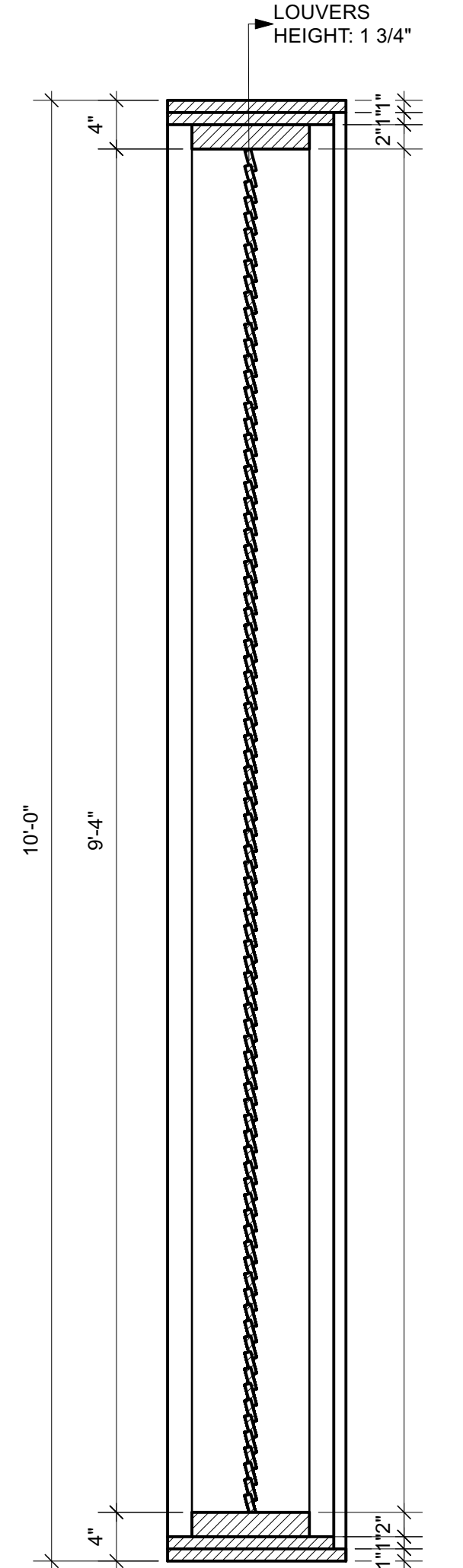
5 WINDOW ELEVATION
3 Scale: 1" = 1'-0"



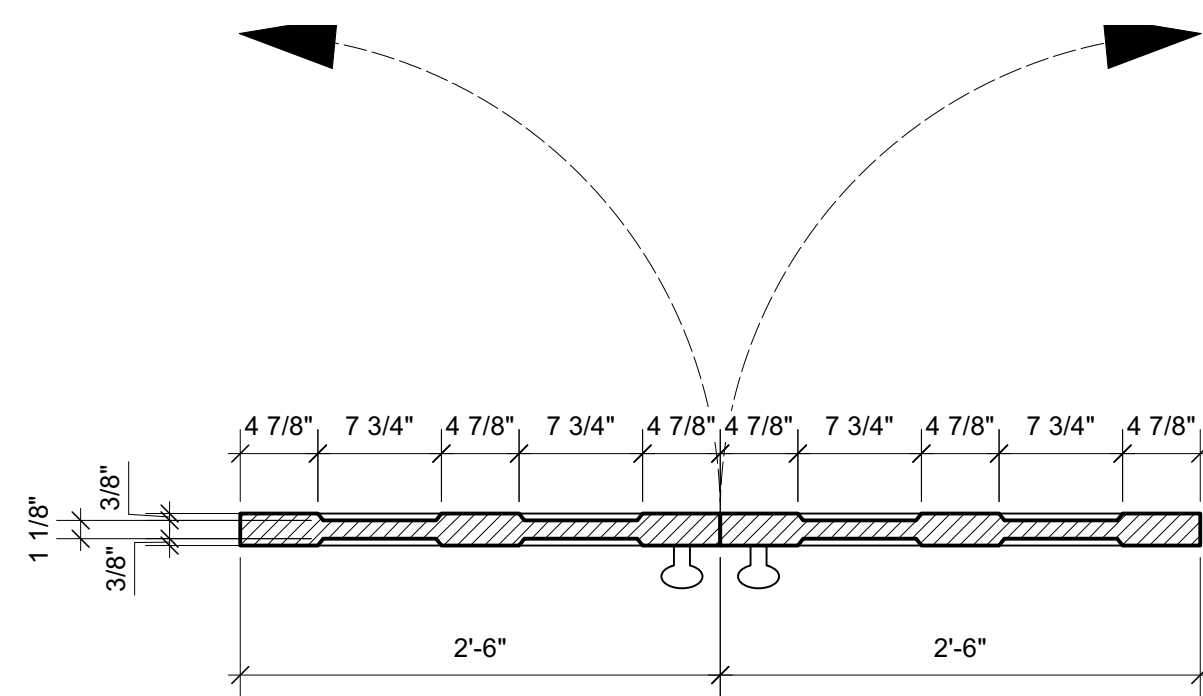
6 WINDOW SECTION
3 Scale: 1" = 1'-0"



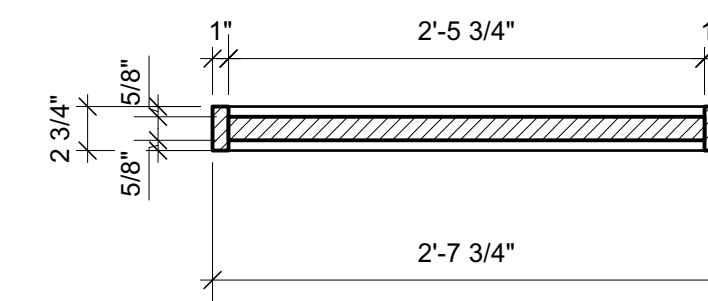
8 WINDOW ELEVATION
3 Scale: 1" = 1'-0"



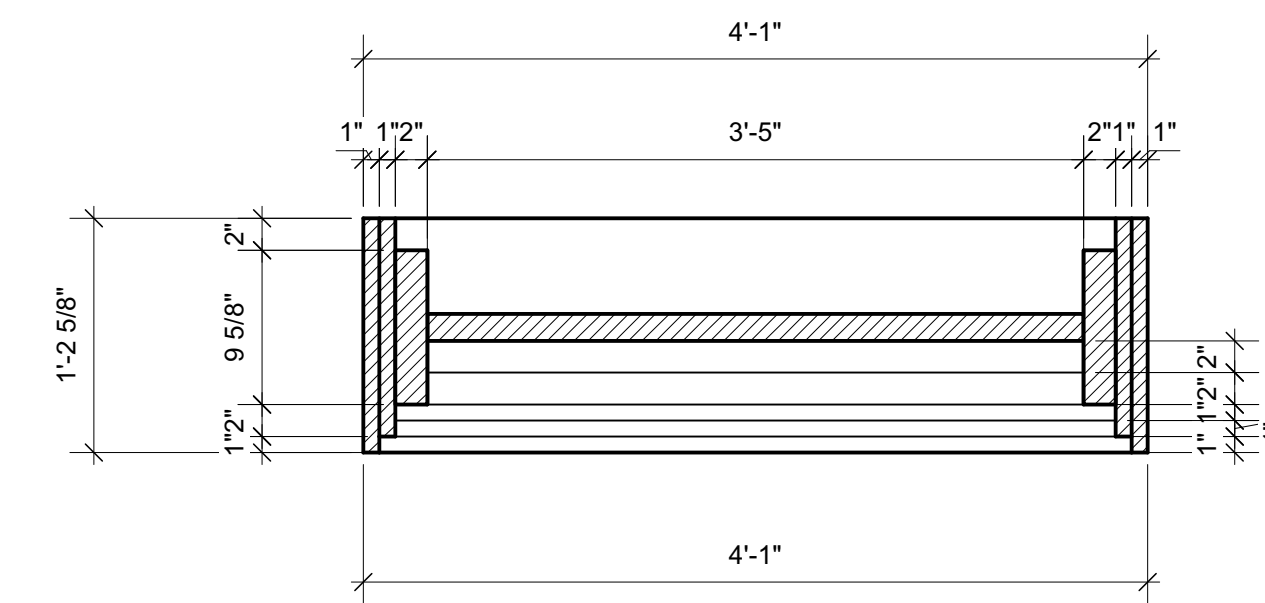
9 WINDOW SECTION
3 Scale: 1" = 1'-0"



1 DOOR PLAN
3 Scale: 1" = 1'-0"



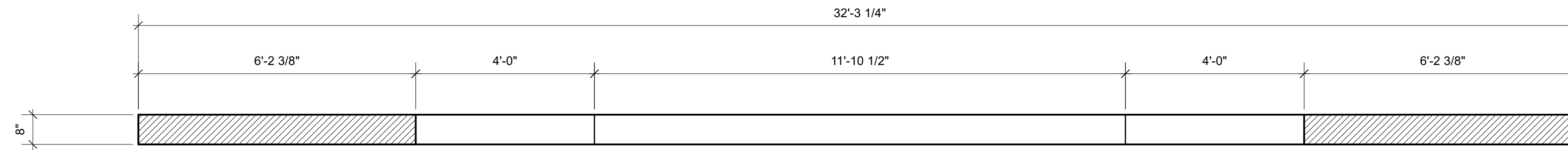
4 WINDOW PLAN
3 Scale: 1" = 1'-0"



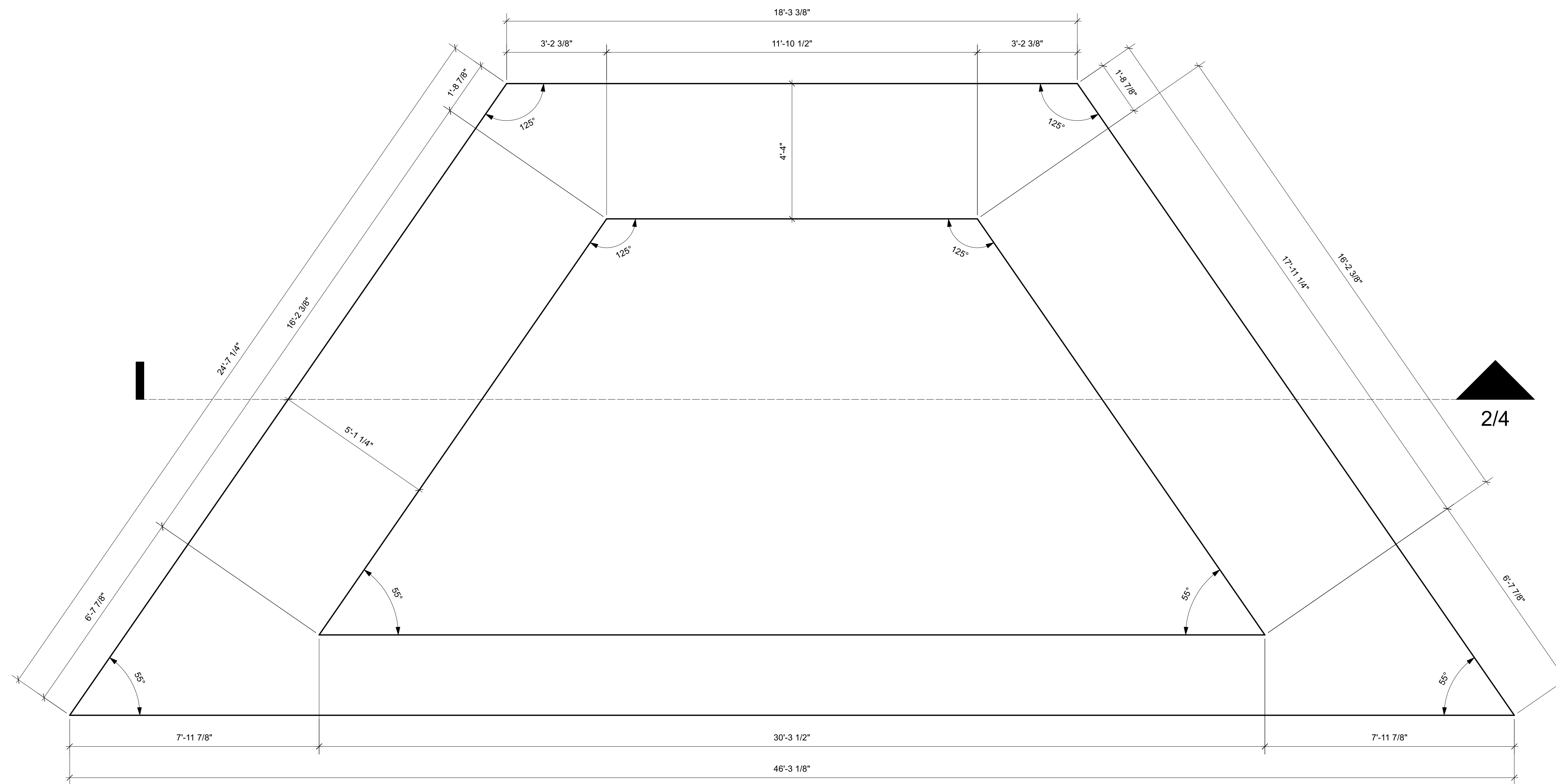
7 Window Plan
3 Scale: 1" = 1'-0"

PRELIMINARY
FOR BID ONLY - DO NOT BUILD

DESIGNED BY Yamilca Fernandez	Rebel Women			
DRAWN BY Yamilca Fernandez	TITLE Doors & Windows			
CHECKED BY Jake Ewonus	SIZE	CAGE CODE	DRAWING NUMBER	REV
APPROVED BY	SCALE 1:1	EST. WGT	SHEET 3	OF 5
CAD FILE NAME Rebel Women.vwx				



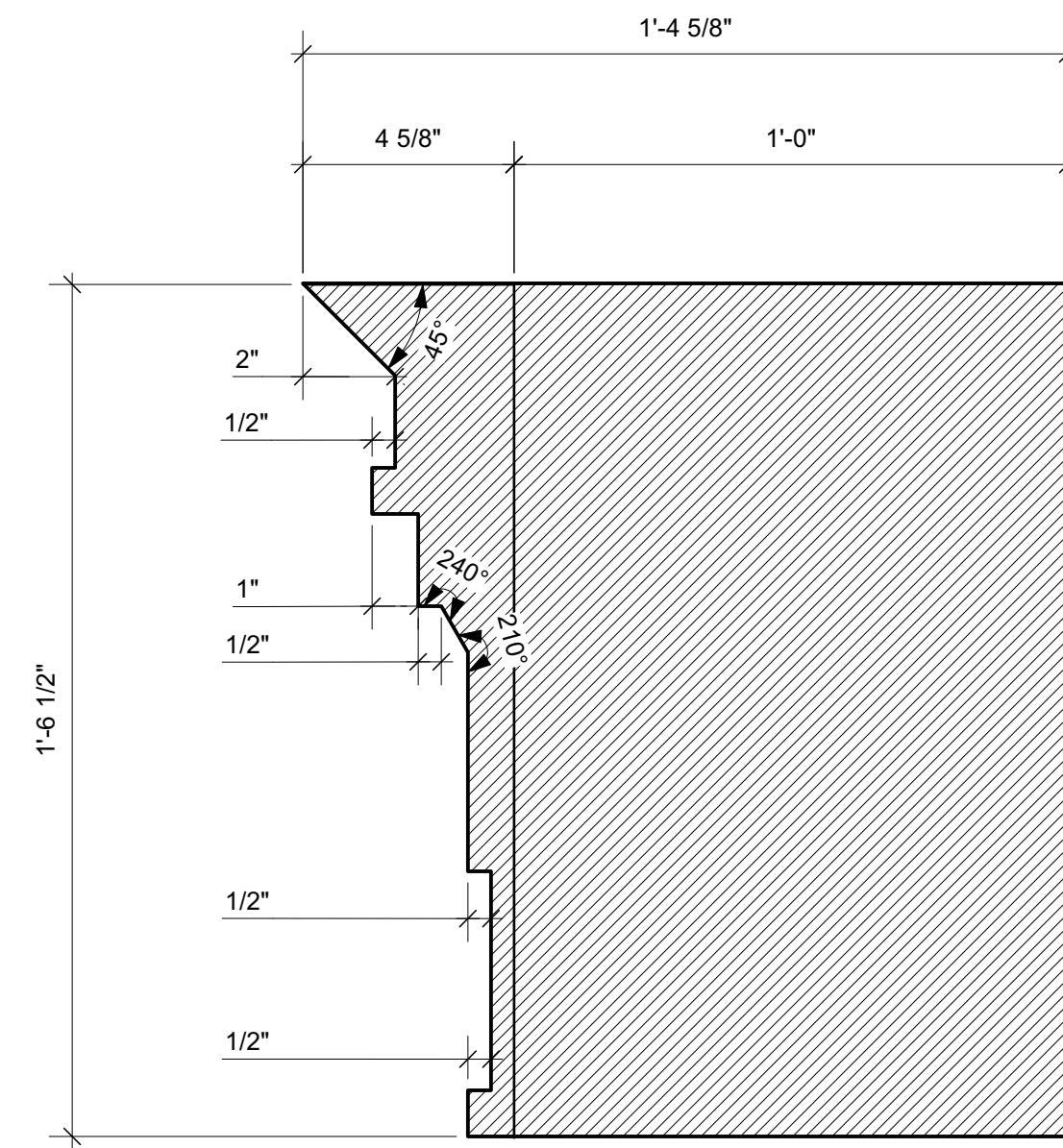
2 CEILING SECTION
Scale: 1/2" = 1'-0"



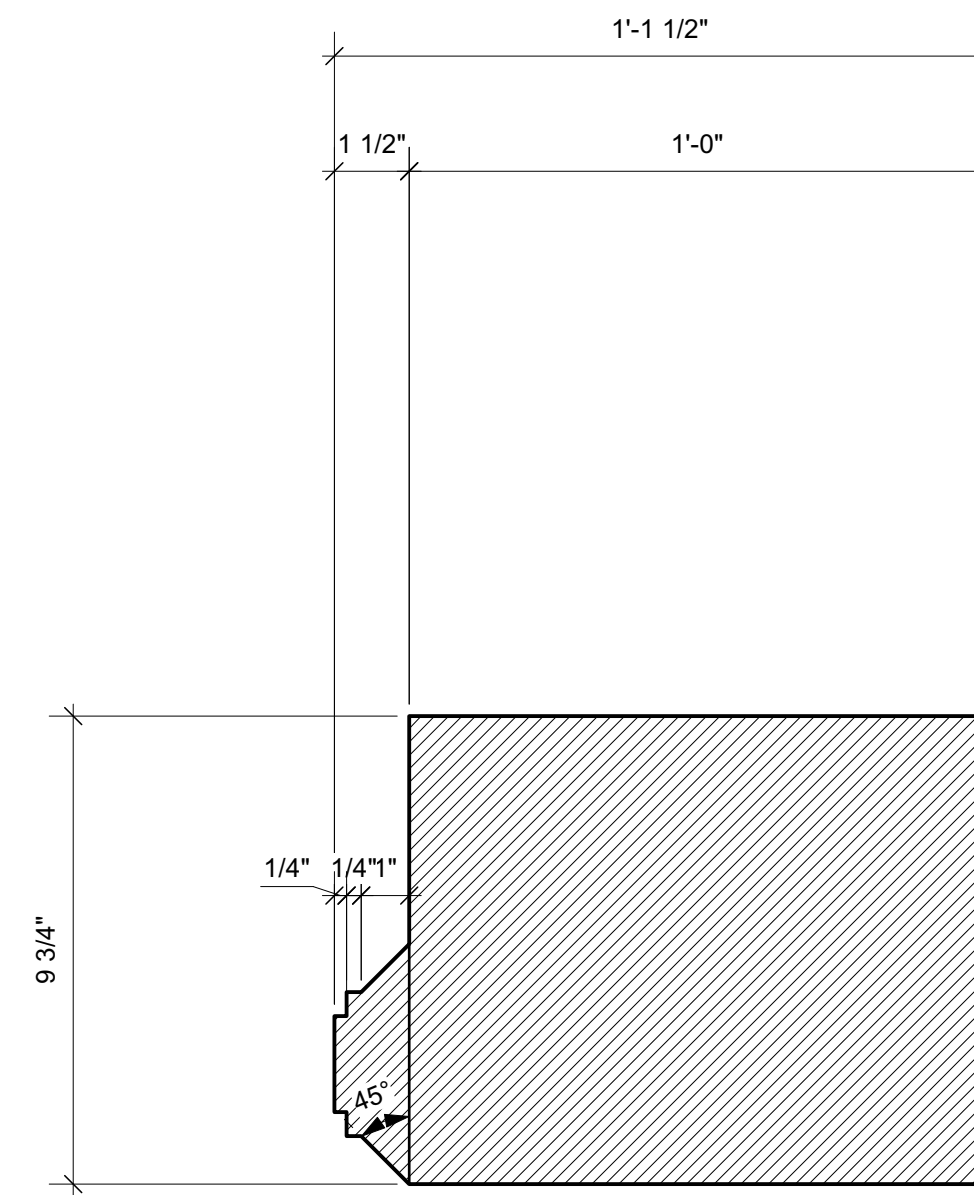
1 REFLECTED CEILING PLAN
Scale: 1/2" = 1'-0"

PRELIMINARY
FOR BID ONLY - DO NOT BUILD

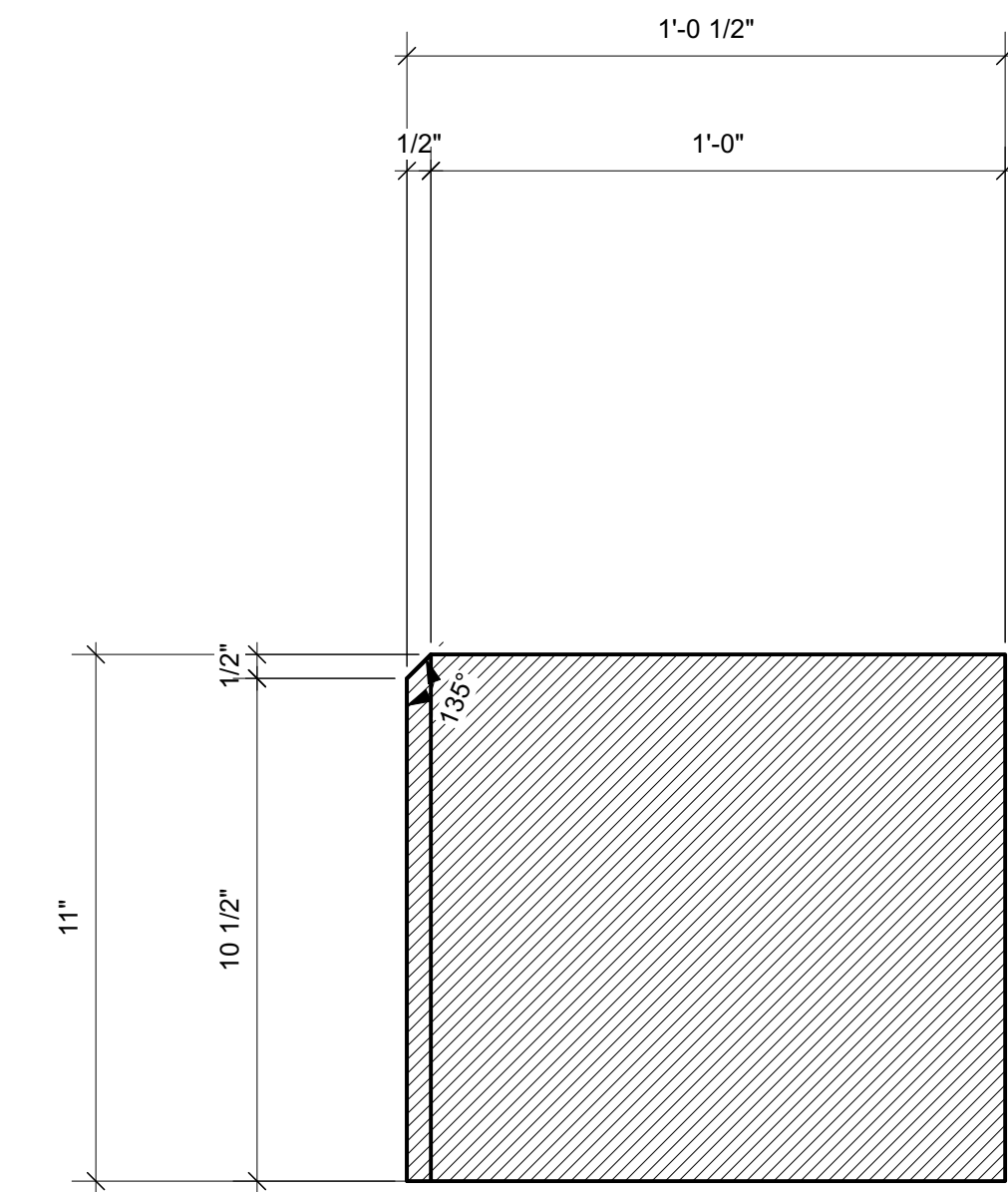
DESIGNED BY Yamila Fernandez	Rebel Women		
DRAWN BY Yamila Fernandez	TITLE Reflected Ceiling Plan		
CHECKED BY Jake Ewonus	SIZE	CAGE CODE	DRAWING NUMBER
APPROVED BY	SCALE	1/2" = 1'-0"	REV
OTHER APPROVALS	SCALE	1/2" = 1'-0"	REV
CAD FILE NAME Rebel Women.vwx	SCALE	1/2" = 1'-0"	SHEET 4 OF 5



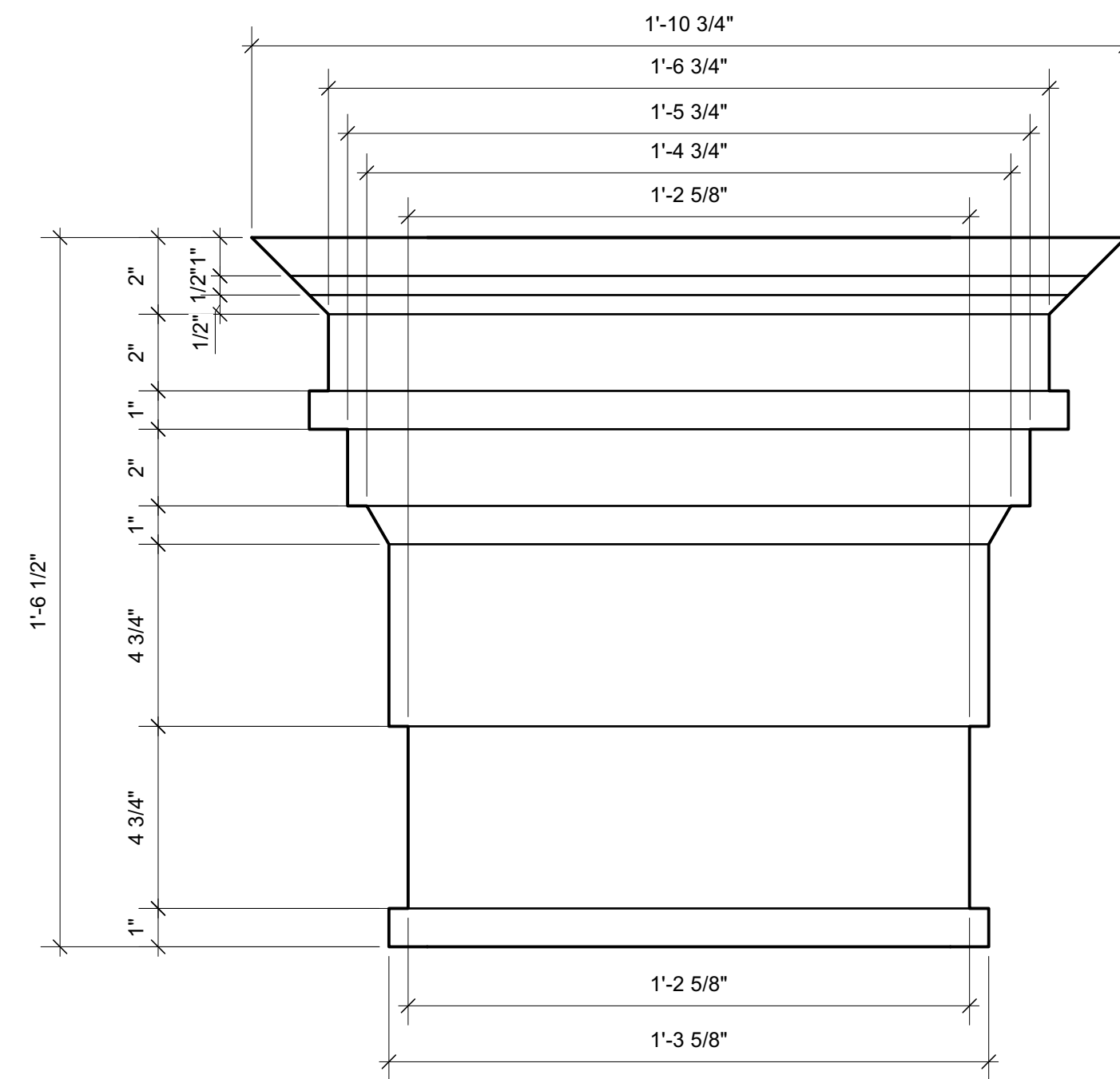
2 CROWN MOULDING SECTION
Scale: 3" = 1'-0"



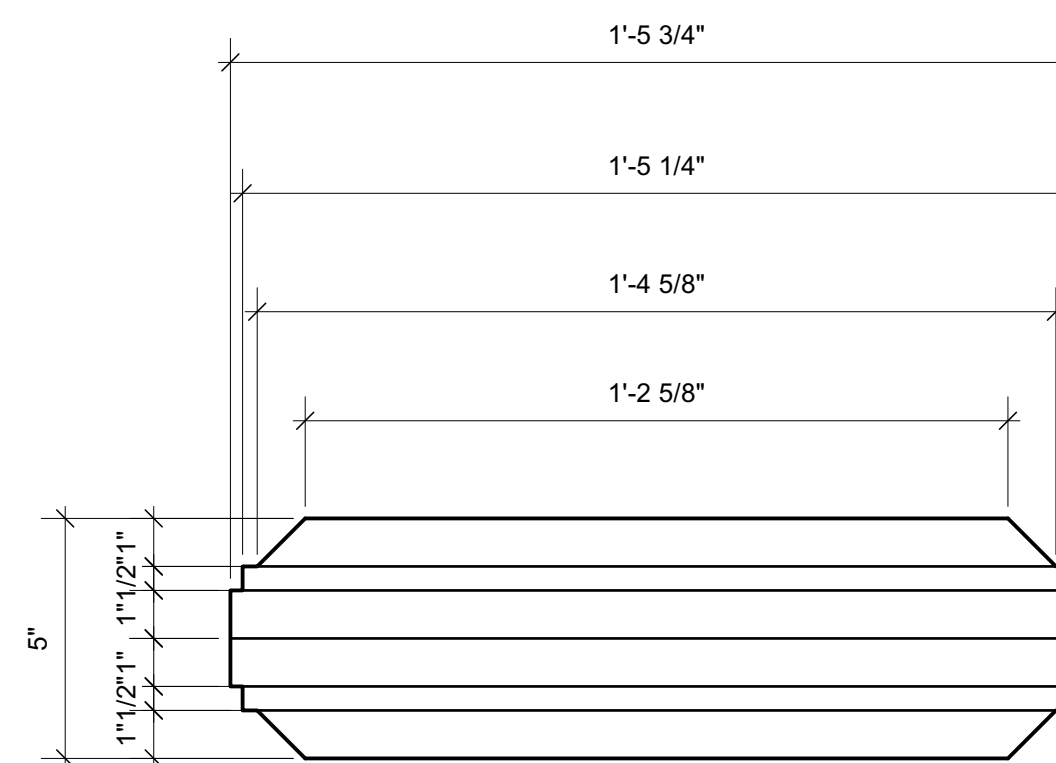
4 MOULDING SECTION
Scale: 3" = 1'-0"



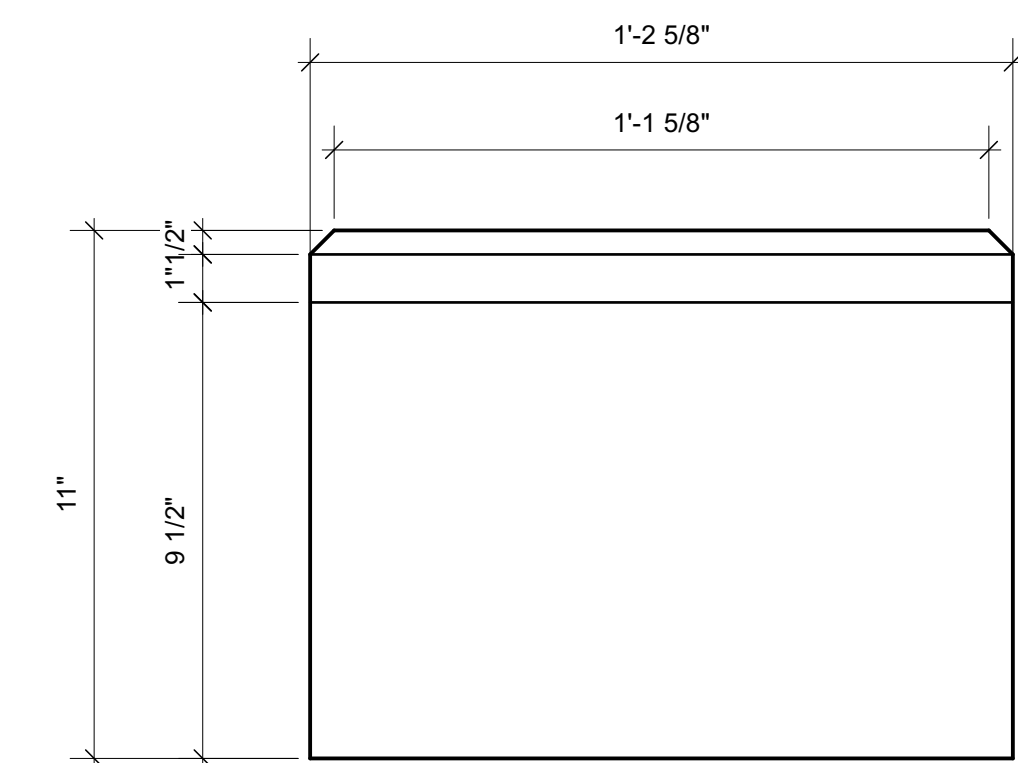
6 BASEBOARD SECTION
Scale: 3" = 1'-0"



1 CROWN MOULDING ELEVATION
Scale: 3" = 1'-0"



3 MOULDING ELEVATION
Scale: 3" = 1'-0"



5 BASEBOARD ELEVATION
Scale: 3" = 1'-0"

PRELIMINARY
FOR BID ONLY - DO NOT BUILD

DESIGNED BY Yamilca Fernandez	Rebel Women			
DRAWN BY Yamilca Fernandez	TITLE			
CHECKED BY Yamilca Fernandez	Details			
APPROVED BY	SIZE	CAGE CODE	DRAWING NUMBER	REV
CAD FILE NAME Rebel Women.vwx	SCALE 3" = 1'-0"	EST. WGT	SHEET 5	OF 5